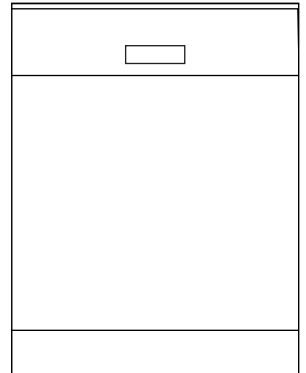




# Dishwasher

## User's Manual

*9300 SS WF*



EN

# Please read this user manual first!

Dear Customer,

We hope that you get the best results from your product which has been manufactured with high quality and state-of-the-art technology. Therefore, please read this entire user manual and all other accompanying documents carefully before using the product and keep it as a reference for future use. If you handover the product to someone else, give the user manual as well. Follow all warnings and information in the user manual.

Remember that this user manual is also applicable for several other models. Differences between models will be identified in the manual.

## Explanation of symbols

Throughout this User Manual the following symbols are used:

	Important information or useful hints about usage.
	Warning for hazardous situations with regard to life and property.
	Warning for electric shock.
	Packaging materials of the product are manufactured from recyclable materials in accordance with our National Environment Regulations.

Do not dispose of the packaging materials together with the domestic or other wastes. Take them to the packaging material collection points designated by the local authorities.

# Dishwasher

User's Manual

*9300 SS WF*

EN

Document Number 1728766500\_AC\_ARCELIK\_9300 SS WF\_EN/ 11-10-16.(16:18)

# Please read this user manual first!

Dear Customer,

We hope that you get the best results from your product which has been manufactured with high quality and state-of-the-art technology. Therefore, please read this entire user manual and all other accompanying documents carefully before using the product and keep it as a reference for future use. If you handover the product to someone else, give the user manual as well. Follow all warnings and information in the user manual.

Remember that this user manual is also applicable for several other models. Differences between models will be identified in the manual.

## Explanation of symbols

Throughout this User Manual the following symbols are used:

	Important information or useful hints about usage.
	Warning for hazardous situations with regard to life and property.
	Warning for electric shock.
	Packaging materials of the product are manufactured from recyclable materials in accordance with our National Environment Regulations.

Do not dispose of the packaging materials together with the domestic or other wastes. Take them to the packaging material collection points designated by the local authorities.

## CONTENTS

### 1 INSTRUCTIONS FOR SAFETY AND ENVIRONMENT 4

General safety .....	4
Intended use .....	5
Children's safety .....	5
Disposing of packaging material .....	5
Transportation of the product .....	6
Compliance with WEEE Directive and Disposing of the Waste Product .....	6
Compliance with RoHS Directive .....	6
Package information .....	6

### 2 DISHWASHER 7

Overview .....	7
Fan drying system .....	8
Technical specifications .....	8

### 3 INSTALLATION 9

Appropriate installation location .....	9
Connecting water supply .....	10
Adjusting the feet .....	11
Electrical connection .....	11
Initial use .....	11
Aquasafe+ .....	12

### 4 PREPARATION 13

Tips for energy saving .....	13
Water softening system .....	13
Adjusting the water softening system	13
Adding salt .....	13
Adjusting the water softening system	15
Detergent .....	17
Adding detergent .....	17
Combined tablet detergents .....	18
Rinse aid .....	19
Items not suitable for washing in the dishwasher .....	20
Placing the dishes into the dishwasher .....	20
Silverware basket piece .....	22
Silverware basket .....	22
Cutlery basket .....	23

Cutlery basket .....	23
Collapsible lower basket wires (6 pieces) .....	24
Collapsible lower basket wires (4 pieces) .....	25
Collapsible lower basket wires (2 pieces) .....	25
Collapsible lower basket tines .....	26
Collapsible lower basket tines .....	27
Lower basket bottle wire .....	27
SoftTouch Accessory .....	28
Lower Basket Glass Holder .....	28
Tray Wash Supports .....	28
Lower basket multipurpose / height adjustable service rack .....	29
Upper basket height adjustable rack	30
Upper basket drawer .....	30
Upper basket glass support piece ....	30
Upper basket glass support piece ....	31
Collapsible upper basket wires .....	31
Collapsible upper basket tines .....	32
Collapsible upper basket tines .....	32
Adjusting the height of the upper basket .....	33
Adjusting the height of loaded upper basket .....	34
Height setting with empty basket .....	35
Upper cutlery basket .....	36

## CONTENTS

---

### **5 OPERATING THE PRODUCT 37**

Keys.....	38
Preparing the machine .....	38
Programme selection.....	38
Auxiliary functions.....	40
WLAN Setup.....	40
Programming the washing time .....	43
Starting the programme.....	44
Programme follow-up .....	45
Child Lock.....	45
Cancelling the programme .....	46
Changing the auxiliary function .....	46
Machine settings.....	46
Warning messages .....	49
End of programme.....	50

### **6 MAINTENANCE AND CLEANING 51**

Cleaning the outer surface of the product.....	51
Cleaning the interior of the machine.	51
Cleaning the filters.....	51
Cleaning the hose filter .....	52
Cleaning the impellers .....	53
Lower impeller .....	53
Upper impeller .....	53
Ceiling Impeller.....	54

### **7 TROUBLESHOOTING 55**

---

# 1 INSTRUCTIONS FOR SAFETY AND ENVIRONMENT

This section contains safety instructions that will help to get protected from risk of personal injury or property damage. Failure to follow these instructions shall void all warranties.

## General safety

- Never place the product on a carpet-covered floor; otherwise, lack of airflow beneath the product will cause electrical parts to overheat. This will cause problems with your product.
- Do not operate the product if the power cable / plug is damaged! Call the Authorised Service Agent.
- Connect the product to a grounded outlet protected by a fuse complying with the values in the “Technical specifications” table. Do not neglect to have the grounding installation made by a qualified electrician. Our company shall not be liable for any damages that will arise when the product is used without grounding in accordance with the local regulations.
- The water supply and draining hoses must be securely fastened and remain undamaged.
- Unplug the product when not in use.
- Never wash the product by spreading or pouring water onto it! There is the risk of electric shock!
- Never touch the plug with wet hands! Never unplug by pulling on the cable, always pull out by grabbing the plug.
- The product must be unplugged during installation, maintenance, cleaning and repairing procedures.
- Always have the installation and repairing procedures carried out by the Authorised Service Agent. Manufacturer shall not be held liable for damages that may arise from procedures carried out by unauthorised persons.
- Never use chemical solvents in the product. They bring forth the risk of explosion.
- When you pull the upper and lower baskets out completely, the door of the product will bear all the weight of the baskets. Do not put other loads on the door; otherwise, the product may tilt.
- Never leave the door of the product open apart from loading and unloading procedures.
- Do not to open the door of the product when it is running unless necessary. Be careful for the rush of

hot vapour when you need to open the door.

## Intended use

- This product has been designed for domestic use.
- It must be used to do the domestic type dishes only.
- This appliance is intended to be used in household and similar applications such as:
  - Staff kitchen areas in shops, offices and other working environments;
  - Farm houses;
  - By clients in hotels, motels and other residential type environments;
  - Bed and breakfast type environments
- Only dishwasher safe detergents, rinse aids and additives must be used.
- The manufacturer waives any responsibility arisen from incorrect usage or transportation.
- The service life of your product is 10 years. During this period, original spare parts will be available to operate the product properly.
- This product should not be used by persons with physical, sensory or mental disorders or unlearned or inexperienced people (including children)

unless they are attended by a person who will be responsible for their safety or who will instruct them accordingly for use of the product.

## Children's safety

- Electrical products are dangerous for the children. Keep children away from the product when it is in use. Do not let them to tamper with the product.
- Do not forget to close the door of the product when leaving the room where it is located.
- Store all detergents and additives in a safe place away from the reach of the children.

## Disposing of packaging material

Packaging materials are dangerous to children. Keep packaging materials in a safe place away from reach of the children.

Packaging materials of the product are manufactured from recyclable materials. Dispose of them properly and sort in accordance with recycled waste instructions. Do not dispose of them with normal domestic waste.

## Transportation of the product



If you need to move the product, do it in upright position and hold from the rear side. Slanting the product onto its front side may cause the electronic parts in it get wet and damaged.

1. Unplug the product before transporting it.
2. Remove water drainage and water supply connections.
3. Drain the remaining water in the product completely.

## Compliance with WEEE Directive and Disposing of the Waste Product



This product complies with EU WEEE Directive (2012/19/EU). This product bears a classification symbol for waste electrical and electronic equipment (WEEE). This product has been manufactured with high quality parts and materials which can be reused and are suitable for recycling. Do not dispose of the waste product with normal domestic and other wastes at the end of its service life. Take it to the

collection center for the recycling of electrical and electronic equipment. Please consult your local authorities to learn about these collection centers.

## Compliance with RoHS Directive

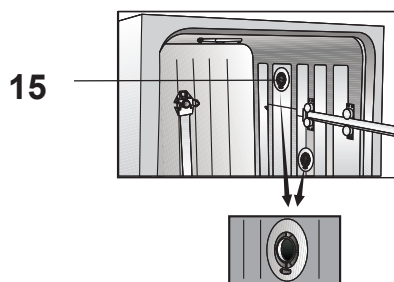
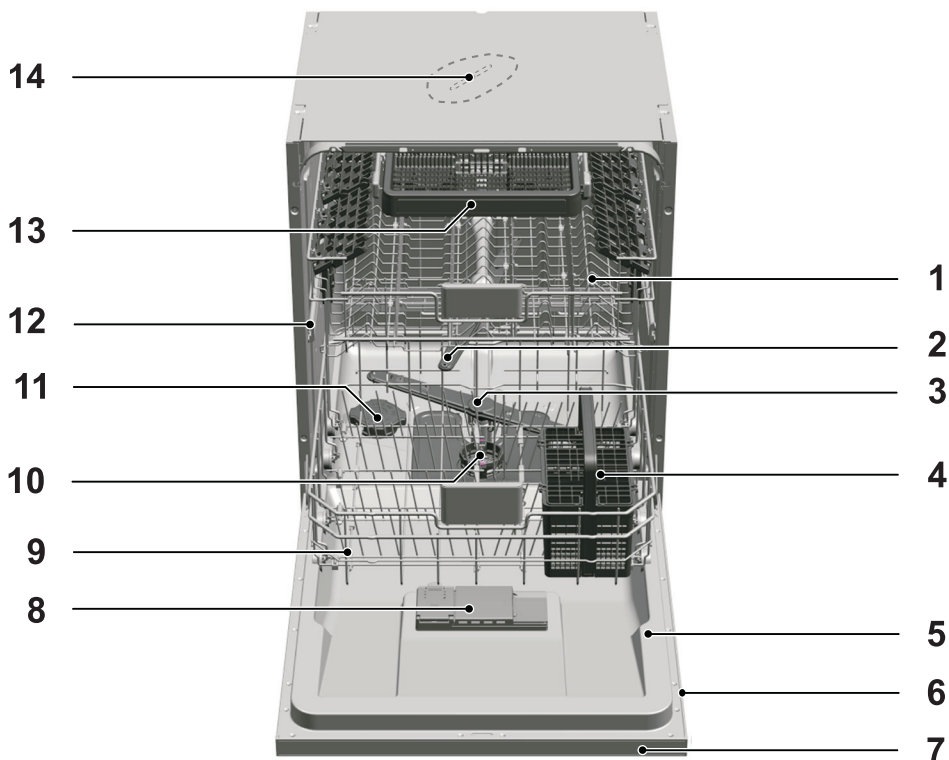
The product you have purchased complies with EU RoHS Directive (2011/65/EU). It does not contain harmful and prohibited materials specified in the Directive.

## Package information

Packaging materials of the product are manufactured from recyclable materials in accordance with our National Environment Regulations. Do not dispose of the packaging materials together with the domestic or other wastes. Take them to the packaging material collection points designated by the local authorities.

## 2 DISHWASHER

### Overview



1. Upper basket
2. Upper impeller
3. Lower impeller
4. Silverware basket
5. Door
6. Rating Label
7. Control panel
8. Detergent dispenser
9. Lower basket
10. Filters
11. Salt reservoir lid
12. Upper basket rail
13. Upper cutlery basket
14. Ceiling impeller
15. Fan drying system (depends on model)

## Technical specifications

### **CE** Compliance to standards and test data / EC declaration of conformity

This product complies with the following EU directives;  
Development, production and sales stages of this product comply with the safety rules included in all pertaining European Community regulations.  
2014/35/EU, 2014/30/EU, 93/68/EC, IEC 60436/DIN 44990, EN 50242

Power input	220-240 V, 50 Hz (see rating label)
Total power consumption	1800-2100 W (see rating label)
Heater power consumption	1800 W (see rating label)
Total current (depends on the model)	10 A (see rating label)
Drain pump power consumption	30 W (see rating label)
Water pressure	0.3 –10 bar (= 3 – 100 N/cm <sup>2</sup> = 0.01-1.0 Mpa)



Technical specifications may be changed without prior notice to improve the quality of the product.



Figures in this manual are schematic and may not match the product exactly.



Values stated on the markings of the product or in the printed documents accompanying the product are obtained in the laboratory on basis of the relevant standards. Depending on operational and environmental conditions of the product, these values may vary.

## Fan drying system

(depends on model)

Fan drying system ensures efficient drying of your dishes.

It is normal to hear a different sound than that of washing cycle during fan operation.

### **Note for test institutions:**

Data required for performance tests shall be provided upon request. Requests can be e-mailed to the following address:

**[standard.test@arcelik.com](mailto:standard.test@arcelik.com)**

Do not forget to provide the code, stock and serial numbers of the product to be tested in your request e-mail along with your contact information. Code, stock and serial numbers of the product may be found on the type label attached to the side wall of the door.

### 3 INSTALLATION

Refer to the nearest Authorised Service Agent for installation of your product. To make the product ready for use, make sure that the electricity, tap water supply and water drainage systems are appropriate before calling the Authorised Service Agent. If they are not, call a qualified technician and plumber to have any necessary arrangements carried out.



Preparation of the location and electrical, tap water and waste water installations at the place of installation is under customer's responsibility.



Installation and electrical connections must be carried out by the Authorised Service Agent. Manufacturer shall not be held responsible for damages arising from processes carried out by unauthorised persons.



Prior to installation, visually check if the product has any defects on it. If so, do not have it installed. Damaged products cause risks for your safety.



Make sure that the water inlet and discharge hoses are not folded, pinched or crushed while pushing the product into its place after installation or cleaning procedures.

When placing the product, pay attention not to damage the floor, walls, piping, etc. Do not hold the product from its door or panel to move it.

#### Appropriate installation location

- Place the product on a solid and flat floor that has sufficient load carrying capacity! The product must be installed on a flat surface in order for the door to be closed comfortably and securely.
- Do not install the product at places where temperature may fall below 0°C.
- Place the product at least 1 cm away from the edges of other furniture.
- Place the product on a rigid floor. Do not place it on a long pile rug or similar surfaces.



Do not place the product on the power cable.

- Make sure that you select a location that will allow you to load and unload the dishes in a fast and comfortable manner.
- Install the product in a place close to the tap and the drain hole. Select the installation location by considering that it will not be changed after the connections are made.

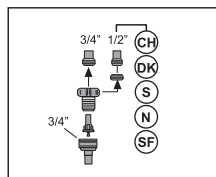
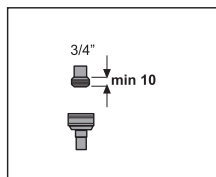
## Connecting water supply



We recommend attaching a filter on the house/ apartment supply water inlet to protect the machine from damages that may arise from impurities (sand, dirt, rust, etc.) coming from the urban water supply system or from your own water system as well as to prevent complaints such as yellowing or sludge accumulation at the end of washing.



Use a screw-on hose connector to connect the water inlet hose to a water tap with a  $\frac{3}{4}$  inch external thread. If required, use a filter insert to filter deposits from the pipes.

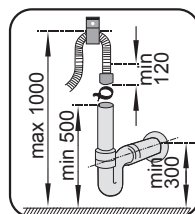
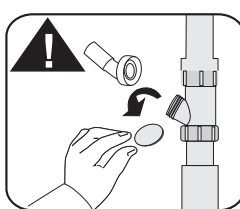
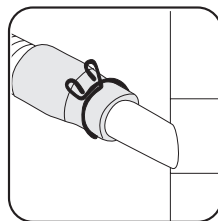
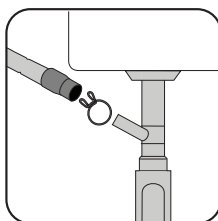


### Permitted water temperature: up to 25°C

The dishwasher may not be connected to open warm water devices or flow-through water heaters.

- Do not use old or used water inlet hose on the new product. Use the new water inlet hose supplied with the product.
- Connect the water inlet hose directly to the water tap. Pressure coming from the tap should be minimum 0.3 and maximum 10 bars. If the water pressure exceeds 10 bars, a pressure relief valve should be installed in between.
- Open the taps completely after making the connections to check for water leaks.

Tightly fix the water discharge hose to the drainpipe in order to prevent any dislocation of the water discharge hose during operation of the product.





Drainpipe must be connected to the sewage system and it should not be connected to any surface water.

### Adjusting the feet

If the door of the product cannot be closed properly or if the product swings when you push it slightly, then you need to adjust the feet of the product. Adjust the feet of the product as illustrated in the installation manual supplied with the product.

### Electrical connection

Connect the product to a grounded outlet protected by a fuse complying with the values in the “Technical specifications” table. Our company shall not be liable for any damages that will arise when the product is used without grounding in accordance with the local regulations.

- Connection must comply with national regulations.
- Power cable plug must be within easy reach after installation.



Unplug the product after the washing programme is over.

- The voltage and allowed fuse or breaker protection are specified in the “Technical specifications” section. If the current value of the fuse or breaker in the house is less than 16 Amps, have a qualified electrician install a 16 Amp fuse.
- The specified voltage must be equal to your mains voltage.
- Do not make connections via

extension cables or multi-plugs.



Damaged power cables must be replaced by the Authorised Service Agent.



If your dishwasher is equipped with internal illumination, lamp should only be replaced by the Authorised Service Agent in case of failures that may occur on the lamp.



If the product has a failure, it should not be operated unless it is repaired by the Authorised Service Agent! There is the risk of electric shock!

### Initial use

Before starting to use the product, make sure that all preparations are made in accordance with the instructions in sections “Important safety instructions” and “Installation”.

- To prepare the product to do the dishes, perform first operation in the shortest programme with detergent while the machine is empty. During the initial use, fill the salt reservoir with 1 litre of water prior to filling it with salt.



There might be a small amount of water left in the product after factory quality control tests. This has no harm on the product.

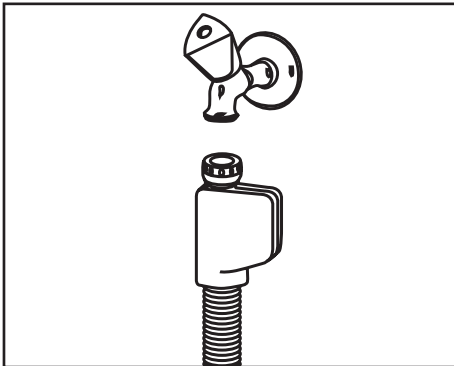
### Aquasafe+

(depends on model)

The Aquasafe+ system protects against water leaks that may occur at the hose inlet. Water contact with the valve box of the system must be avoided to prevent damage to the electrical system. If the Aquasafe+ system is damaged, unplug the product and call the Authorised Service Agent.



As the hose set contains electrical connections and assemblies, never shorten or lengthen the hose with extension hoses.



## 4 PREPARATION

### Tips for energy saving

Following information will help you use the product in an ecological and energy-efficient manner.

Wipe away any coarse food remnants on the dishes before putting them in the product.

Operate the product after filling it completely.

When selecting a programme, consider the table of "Programme data and average consumption values".

Do not put more detergent than suggested on the detergent package.

### Water softening system



Your dishwasher requires soft water. If the hardness of the water is above 6°dH, the water must be softened and descaled. Otherwise, ions that create the hardness will accumulate on the surfaces of the dishes and may adversely affect the washing, shining and drying performances of the product.

The product is equipped with a water softening system which reduces the hardness of incoming water. This system softens the supply water that enters into the product to a level that will allow washing the dishes with the required quality.

### Adjusting the water softening system

Washing performance will increase when water softening system is adjusted properly.

Adjust the new water hardness level according to the Water hardness level instruction supplied with your machine.

### Adding salt

Water softening system needs to be regenerated in order for the product operates with the same performance continuously. Dishwasher salt is used for this purpose.



Use only special softening salts produced particularly for the dishwashers in your machine.

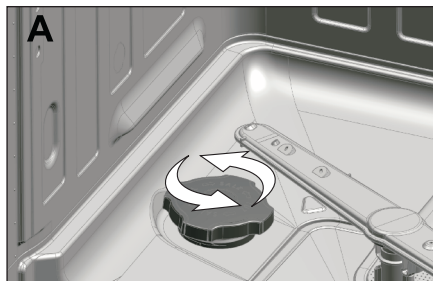


We recommend using granular or powder softening salts. Do not use salts that are insoluble in water such as table salt or common salt. Performance of water softening system may get worse in time.

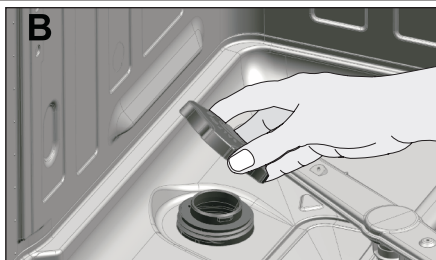


Salt reservoir will fill with water when you start the product. Therefore, add the softening salt before starting the machine.

1. First take the lower basket out to add softening salt.
2. Turn the salt reservoir lid in counter clockwise to open it (A, B).



## Preparation



Salt reservoir will fill with water when you start the product. Therefore, add the softening salt before starting the machine.



Before initial use, fill the water softening system with 1 litre of water (C).



3. Fill the salt reservoir with salt by using salt funnel (D). To speed up dissolution rate of salt in water, stir it with a spoon.



You can put about 2 kg of softening salt into the salt reservoir.

4. Replace the lid and tighten it securely when the reservoir is full.
5. If you will not start a washing programme immediately after adding the salt, run the machine empty in the shortest programme to dissolve and wash away the scattered salt in the machine.



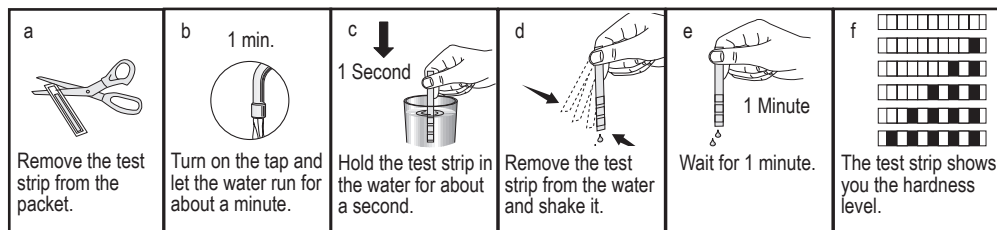
Since different salt brands in the market have different particle sizes and since the water hardness may vary, dissolution of the salt in water may take a couple of hours. Therefore, Salt Indicator remains on for a while after adding salt into the machine.

### Adjusting the water softening system

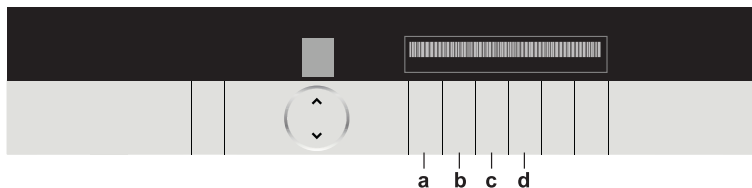
Cleaning, rinsing and drying performance of your dishwasher will increase when water softening system is adjusted properly.

Adjust the new water hardness level according to the Water hardness level instruction in this booklet.

Use the test strip supplied with the product according to the steps given below to determine hardness level of your supply water.





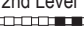








After determining hardness level of the supply water:



1. Press On/Off key to turn on the machine.
2. Enter the Settings Menu by pressing the Function button d for 3 seconds.
3. By using function button b, adjust water hardness level according to the hardness of the supply water.  
See "Water hardness level adjustment table" for correct setting.
4. Exit the Settings Menu by pressing the function button d for 3 seconds.

## Water Hardness Level Adjustment Table

Hardness Level	English Water Hardness °dE	German Water Hardness °dH	French Water Hardness °dF	Water Hardness Level Indicator
0th Level 	0-5	0-4	0-8	Press the function button b to set the water hardness level to position 1. 
1st Level 	6-9	5-7	9-13	Press the function button b to set the water hardness level to position 2. 
2nd Level 	10-15	8-12	14-22	Press the function button b to set the water hardness level to position 3. 
3rd Level 	16-19	13-15	23-27	Press the function button b to set the water hardness level to position 4. 
4th Level 	20-24	16-19	28-34	Press the function button b to set the water hardness level to position 5. 
5th Level 	25-62	20-50	35-90	

If the hardness level of the supply water is above 90°F or if you are using well water, then it is recommended to use water purification devices and special filters. Since your machine is equipped with an Automatic Water Hardness Detection System, appropriate salt should be put in the dishwasher when “Salt indicator” illuminates.

If salt is not put in the machine, the Automatic Water Hardness Detection System will not work properly.



If your machine is equipped with “Automatic Water Hardness Detection System”, water hardness adjustment will be made by the service/user as standard during first installation. If you move your house, your machine will automatically perform water hardness level adjustment according to the water hardness in the new place you have moved in.

### Detergent

You can use powder, liquid/gel and tablet detergents in the machine.



Only use in the detergents produced particularly for use with dishwashers. Never use washing up liquids. We recommend you not to use detergents that contain chlorine and phosphate as they are harmful for the environment.

### Adding detergent



You can find the correct amount of detergent for the selected programme in the table of "Programme data and average consumption values".



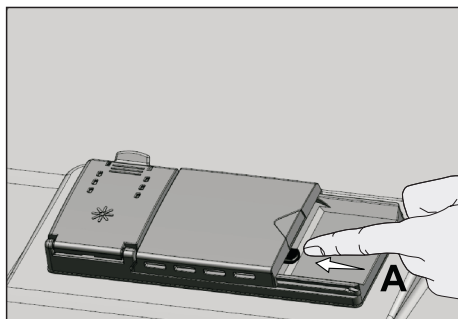
In order to have good washing and drying results, always follow the instructions on the detergent packaging. If you have further questions, we recommend to contact with the producer of the detergent.



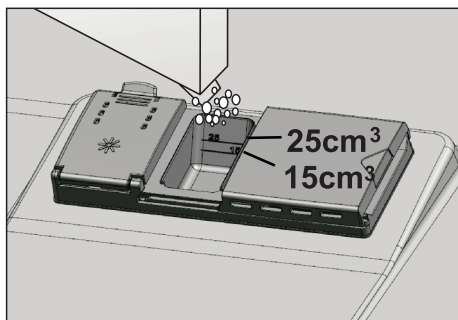
Do not put solvents into the detergent dispenser. There is the risk of explosion!

Put the detergent into the detergent dispenser just before operating the machine as illustrated below.

1. Press the latch in the direction of arrow to open the detergent dispenser lid (A).



2. Put suggested amount of powder, liquid/gel or tablet detergent in the dispenser.

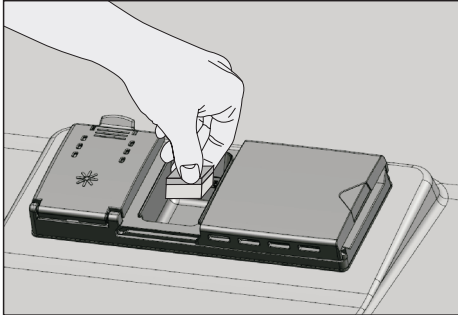


Inside the detergent dispenser there are level markings that help you use appropriate amount of powder detergent. When brimful, detergent dispenser will contain 40 cm<sup>3</sup> of detergent. Fill detergent up to 15 cm<sup>3</sup> or 25 cm<sup>3</sup> level marks in the detergent dispenser according to fullness of the machine and/or soiling degree of the dishes.

3. Close the detergent dispenser lid by pressing on it lightly. A "click" will be heard when the lid is closed.



In programmes with pre-washing and high temperature, in which you may use tablet detergents, make sure that the detergent dispenser lid is closed firmly.



Use powder detergent in short programmes without prewash since the solubility of the tablet detergent changes depending on the temperature and time.



Excessive usage of powder detergents will cause the detergent not dissolve completely and will also cause scratches on the glassware.

### Combined tablet detergents

Combined tablet detergents exhibit water softening and / or rinse aid effect in addition to detergent effect. Some types of these detergents also contain special-purpose washing chemicals such as glass and stainless steel protectors.



The best washing performance in dishwashers is obtained by using detergent, rinse aid and water softening salt individually.

Combined tablet detergents are available as 3in1, 5in1, Allin1 etc. They function only up to a specific degree of water hardness. Above this limit regeneration salt and rinse aid must be added. Refer to the instructions on the packaging of the combined detergent whether it is suitable for the hardness level of the water supply.



While using combined tablet detergents, contact with the detergent producers if your dishes are wet and/ or if you notice limescale spots particularly on your glasses after the washing programme is over.

### When you switch to powder, liquid/ gel or tablet detergent from a combined tablet detergent:

1. Make sure that salt and rinse aid reservoirs are full.
2. Set the water hardness to the highest level and perform an empty run.

## Preparation

3. After the empty washing cycle, review the user manual and readjust the water hardness level so as to suit the water supply.
4. Make the appropriate rinse aid settings.



Depending on the model, salt indicator and/or rinse aid indicator should be enabled again if they are disabled before.

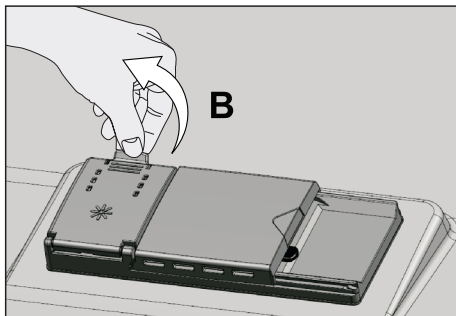
## Rinse aid



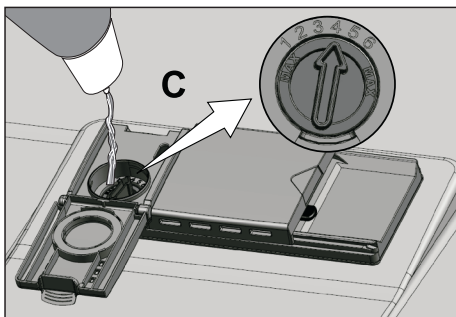
The rinse aid used in dishwashers is a special combination that aims to increase drying efficiency and prevent water or lime stains on the washed items. For this reason, care must be paid to have rinse aid in the rinse aid reservoir and to use rinse aids produced specially for dishwashers only.

Please check the rinse aid indicator on the display to see whether there is adequate amount of rinse aid in the dishwasher or not. You need to refill the rinse aid reservoir with rinse aid whenever rinse aid warning indicator appears on the display of your machine.

1. Open the lid of the rinse aid reservoir by pulling the latch in the direction of the arrow (B).



2. Fill the reservoir until "MAX" level.
3. Turn the rinse aid amount adjuster manually to a position between 1 and 6 (C). If there are stains on tableware items after washing, level must be increased and if there is a blue trace after wiping them by hand, it must be decreased. This is set to position 4 as factory default.



4. Close the lid of the reservoir by pressing on it lightly.



After making sure that the lid is closed, wipe clean any spilled rinse aid outside the reservoir. Rinse aid that spilled accidentally will cause foaming and it will eventually decrease washing performance.

### Items not suitable for washing in the dishwasher

- Never wash dishes soiled by cigarette ash, candle remnants, polish, dyestuff, chemicals, etc. in your dishwasher.
- Do not wash iron alloy items in the dishwasher. It can get corroded or leave stains on other items.
- Do not wash silverware and cutlery with wooden or bone stems, glued pieces, or pieces that are not resistant to heat, as well as copper and tin-plated containers in the dishwasher.



Decorative prints of chinaware as well as aluminum and silver items may get discoloured or tarnished after washing in the dishwasher just as it happens in handwashing as well. Some delicate glass types and crystals may become dull in time. We strongly recommend you to check if the tableware you are going to purchase is suitable for washing especially in the dishwasher.

- Place thin, narrow pieces in the middle sections of baskets if possible.
- There are two separate baskets in which you can place your dishes in the dishwasher. Place the heavily soiled and bigger items in the lower basket and smaller, delicate and light items in the upper basket.
- Place the hollowed dishes such as bowls, glasses and pans upside down in the dishwasher. Thus, accumulation of water in deep hollows is prevented.



To prevent possible injuries, always place the sharp and pointed dishes such as service fork, bread knife, etc. upside down so as their pointed ends will face down or they will lie horizontally in the dish basket.

Unload dishes in the lower basket first and then the dishes in the upper basket.

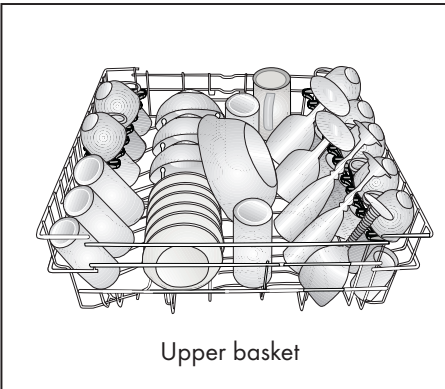
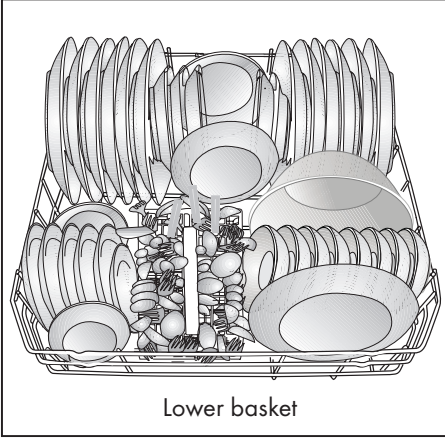
### Placing the dishes into the dishwasher

You can use your dishwasher in the optimum way with respect to energy consumption and washing and drying performance only if you place the dishes in an orderly way.

- Wipe away any coarse food remnants (bones, seeds, etc.) on the dishes before placing them in the dishwasher.

# Preparation

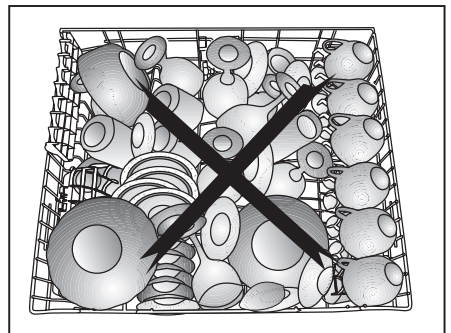
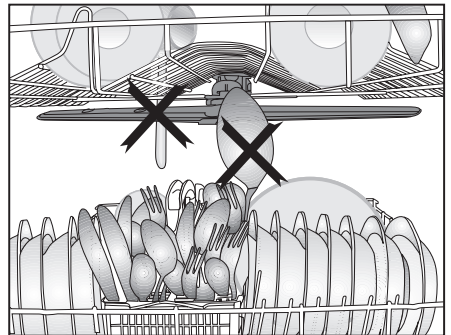
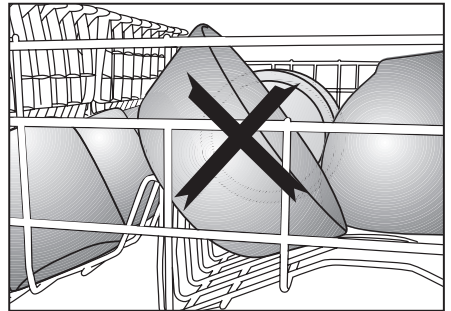
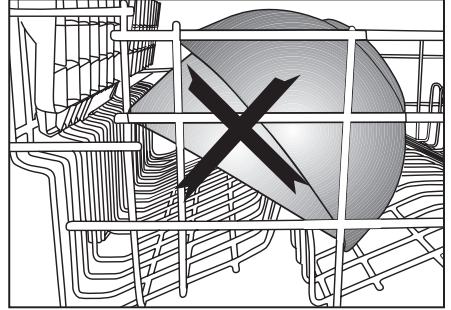
## Suggestions for loading the dishwasher



## Improper Loading Of Dishware



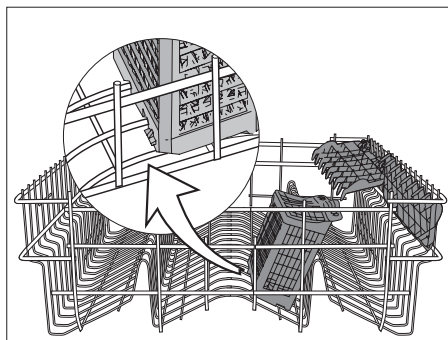
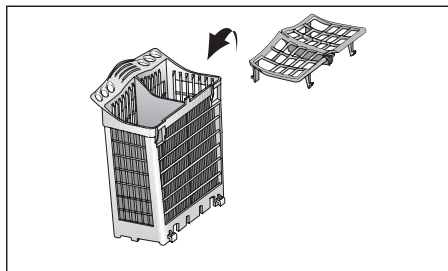
## Improper Loading Of Dishware



### Silverware basket piece

(depends on model)

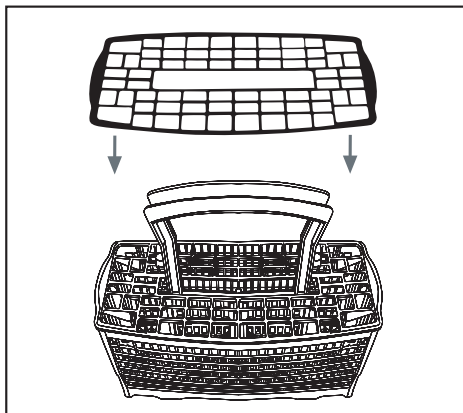
You can place your forks, spoons and etc. to upper basket with the additional piece in the figure..



### Silverware basket

(depends on model)

Silverware basket is designed to wash your dishes such as fork, spoon and etc. in a cleaner manner.

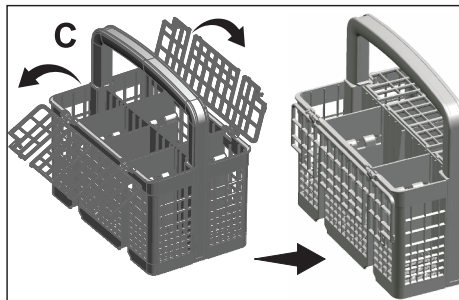
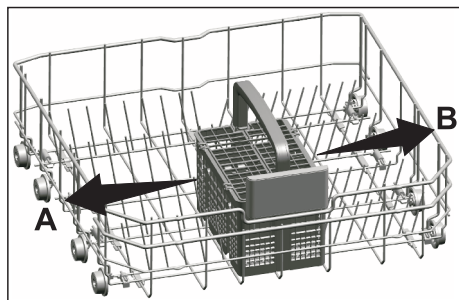


## Cutlery basket

(depends on model)

Cutlery basket is designed to wash your dishes such as knife, fork, spoon, etc. in an efficient manner.

Since the cutlery basket can be moved (A, B), you can create more space while placing your dishes in the lower basket and free up space for your dishes of different sizes.

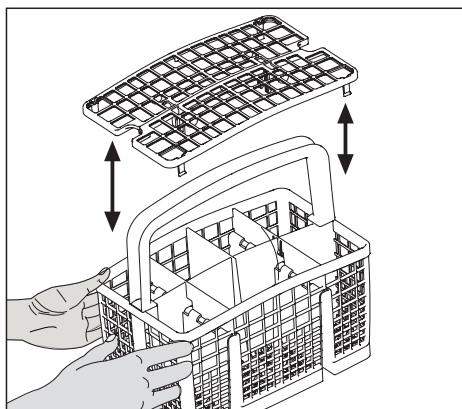
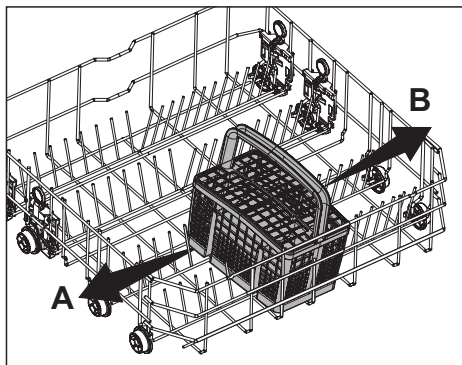


## Cutlery basket

(depends on model)

Cutlery basket is designed to wash your dishes such as knife, fork, spoon, etc. in an efficient manner.

Since the cutlery basket can be moved (A, B), you can create more space while placing your dishes in the lower basket and free up space for your dishes of different sizes..



## Collapsible lower basket wires (6 pieces)

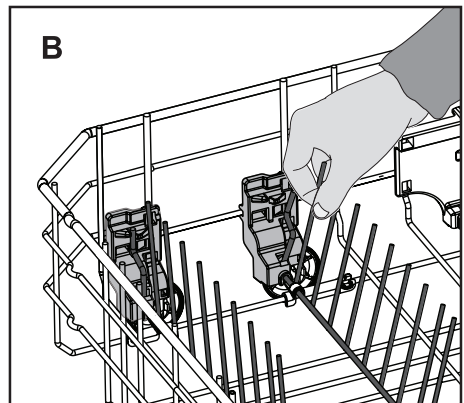
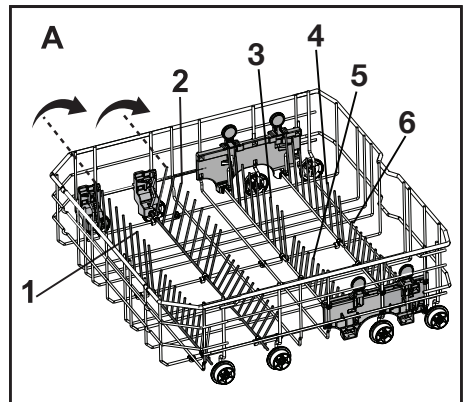
(depends on model)

The foldable wires (A) located at the lower basket of the machine are designed for an easier placement of large pieces such as pans, bowls, etc. You can create larger spaces by folding each wire individually or all them at once.

To bring the collapsible wires into horizontal position, grab the wire from mid position and push them in the directions of arrows (B) To bring the wires back to vertical position, just lift them up. Collapsible wires will click into the latch again.



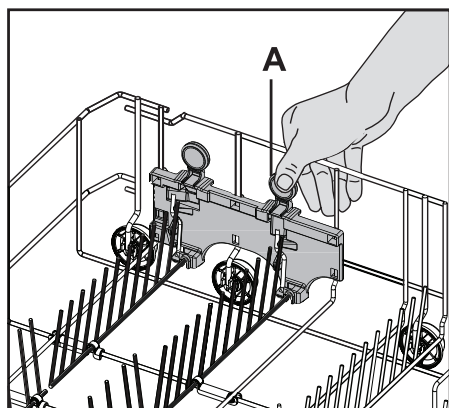
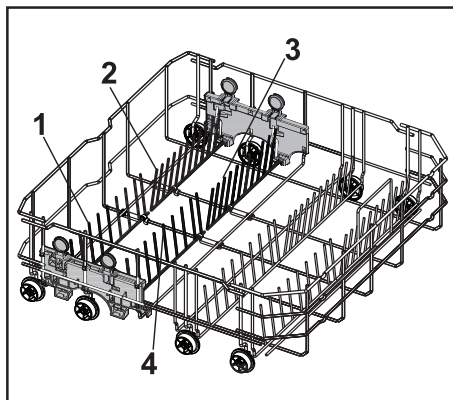
Bringing the wires to the horizontal position by holding them from the tips may cause them to bend. Therefore, it will be appropriate to bring the wires in the middle to horizontal or vertical position by holding them from their stems and pushing in the direction of arrow.



## Collapsible lower basket wires (4 pieces)

(depends on model)

The four piece foldable wires located at the lower basket of the machine are designed for an easier placement of large pieces such as pans, bowls, etc. (1, 2, 3, 4). You can create larger spaces by folding each wire individually or all of them at once. Lay the foldable wires down by pressing on the latch (A).

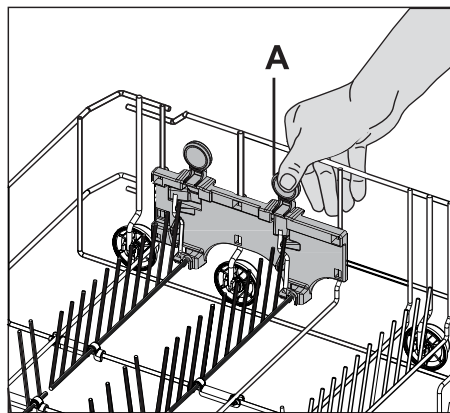
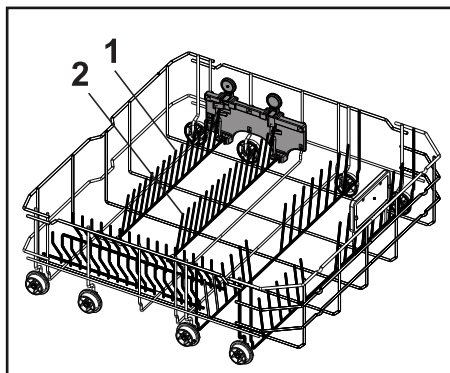


## Collapsible lower basket wires (2 pieces)

(depends on model)

The two piece foldable wires located at the lower basket of the machine are designed for an easier placement of large pieces such as pans, bowls, etc. (1, 2).

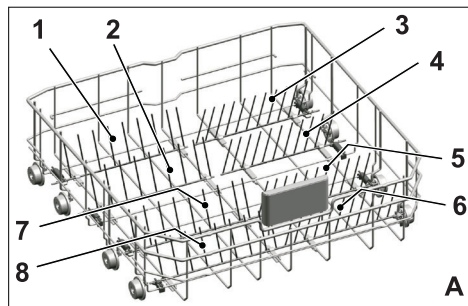
You can create larger spaces by folding each wire individually or all of them at once. Lay the foldable wires down by pressing on the latch (A).



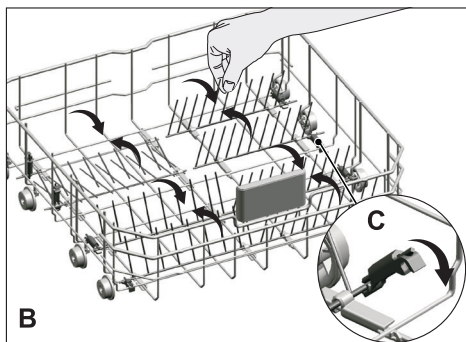
### Collapsible lower basket tines

(depends on model)

There are foldable tines (A) located at the lower basket of the machine are designed for an easier placement of large pieces such as pans, bowls, etc. You can create larger spaces by folding each tines individually or all of them at once.



To bring the collapsible tines into horizontal position, grab the tines from mid position and push them in the directions of arrows (B). To bring the tines back to vertical position, just lift them up. Collapsible tines will click into the latch again (C).

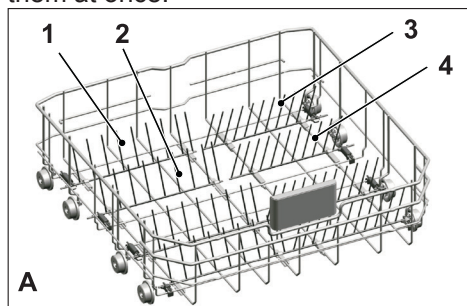


Bringing the tines to the horizontal position by holding them from the tips may cause them to bend. Therefore, it will be appropriate to bring the tines in the middle to horizontal or vertical position by holding them from their stems and pushing in the direction of arrow.

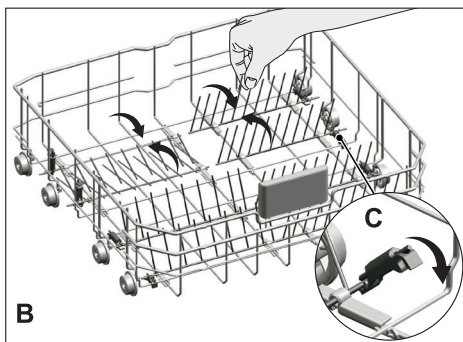
## Collapsible lower basket tines

(depends on model)

There are foldable tines (A) located at the lower basket of the machine are designed for an easier placement of large pieces such as pans, bowls, etc. You can create larger spaces by folding each tines individually or all of them at once.



To bring the collapsible tines into horizontal position, grab the tines from mid position and push them in the directions of arrows (B). To bring the tines back to vertical position, just lift them up. Collapsible tines will click into the latch again (C).

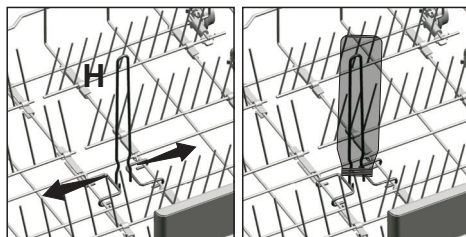


Bringing the tines to the horizontal position by holding them from the tips may cause them to bend. Therefore, it will be appropriate to bring the tines in the middle to horizontal or vertical position by holding them from their stems and pushing in the direction of arrow.

## Lower basket bottle wire

(depends on model)

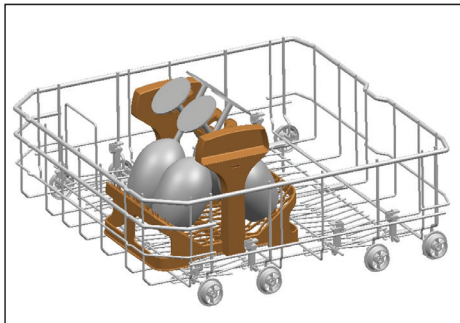
The bottle wire is designed for easier washing of long pieces with wide mouths. You may take out the bottle wire from the basket when not in use by pulling it out from both sides (H).



## SoftTouch Accessory

(depends on model)

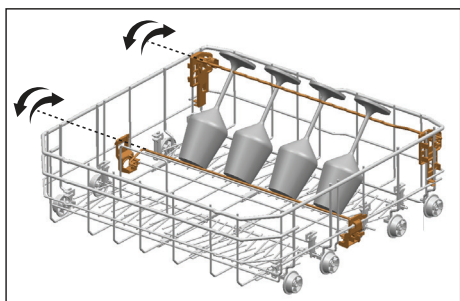
The SoftTouch Accessory found in the lower basket of your machine enables a safe washing for your fragile glasses.



## Lower Basket Glass Holder

(depends on model)

Lower Basket Glass Holder found in the lower basket of your machine enables a safe washing for your oversized and tall glasses.

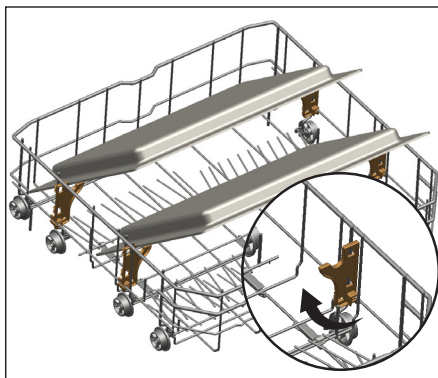


## Tray Wash Supports

(depends on model)

Use the supports to wash trays in the bottom basket.

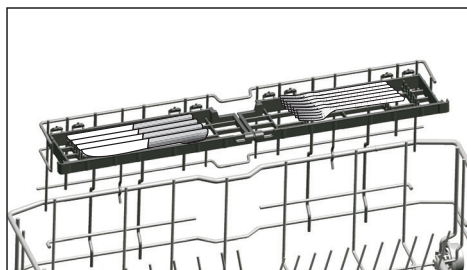
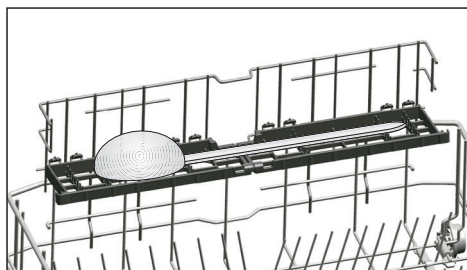
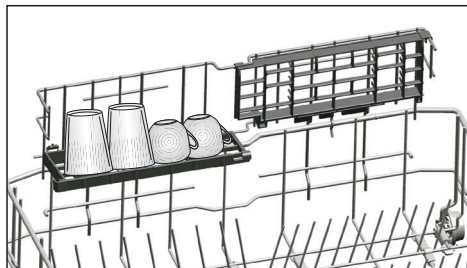
See the Auxiliary functions section for appropriate programme and function selection.



## Lower basket multipurpose / height adjustable service rack

(depends on model)

This accessory located at the lower basket of your machine allows you to easily wash pieces such as extra glasses, long ladles and bread knives.



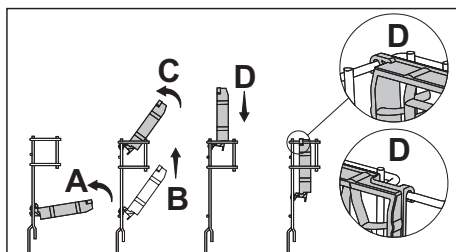
You may use the racks as required by moving them to lower or upper position, or close them to create a wider space in your lower basket.



Make sure that the impeller does not touch the dishes you placed on the racks.

To close the racks:

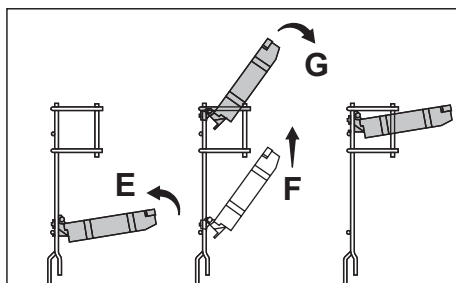
1. Fold the rack (A).
2. Slide the rack up (B).
3. Put the rack in vertical position (C).
4. Slide the rack down and lock it by the tabs (D).



You may open the racks in the same process in reverse order.

To adjust the height of the racks:

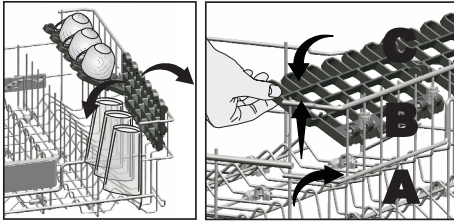
1. Fold the rack (E).
2. Slide the rack up (F).
3. Open the rack at the desired level (G).



## Upper basket height adjustable rack

(depends on model)

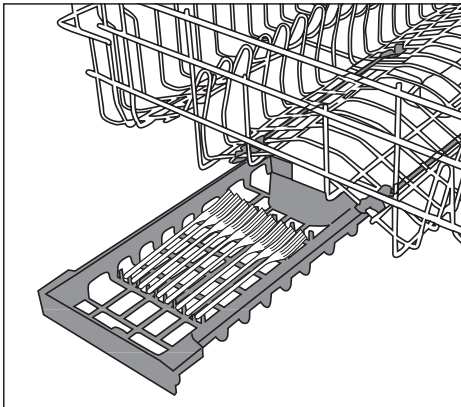
Use the lower and upper parts of the height adjustable racks in the upper basket of the machine by sliding them down or up according to the heights of the glasses, cups or etc. (A, B, C).



## Upper basket drawer

(depends on the model)

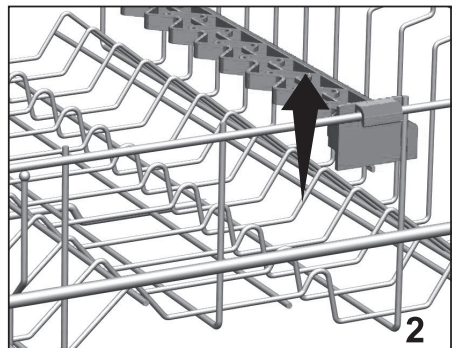
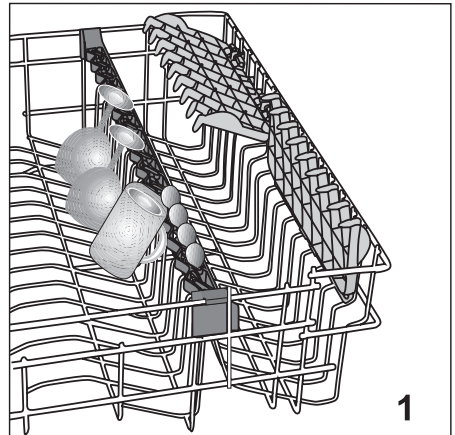
You can easily place additional desert spoons, small forks and knives into the basket drawer installed to the upper basket of your machine.



## Upper basket glass support piece

(depends on the model)

When placing long stemmed glasses or wine glasses, do not lean them against other pieces but to the edge of the basket or to the rack (1). Do not lean long glasses against each other. They can move and get damaged during washing.

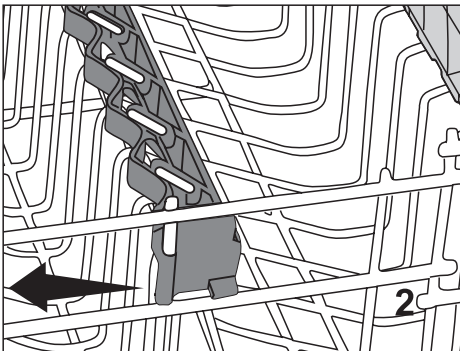
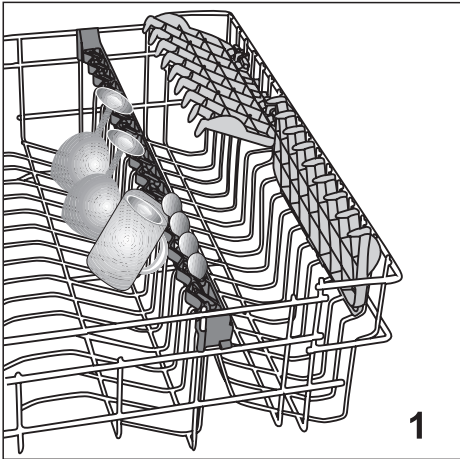


If you wish to place large-volume pieces on the upper basket, release the tab of the glass support piece from the upper basket wire it is hooked to. Thus, you can obtain a wider space.

## Upper basket glass support piece

(depends on the model)

When placing long stemmed glasses or wine glasses, do not lean them against other pieces but to the edge of the basket or to the rack (1). Do not lean long glasses against each other. They can move and get damaged during washing.

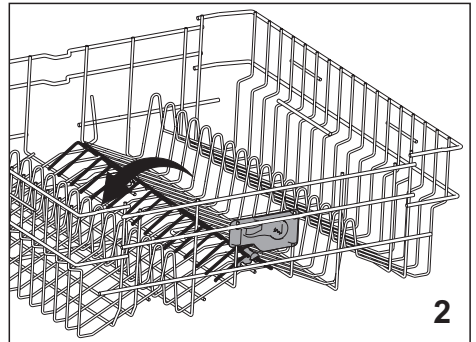
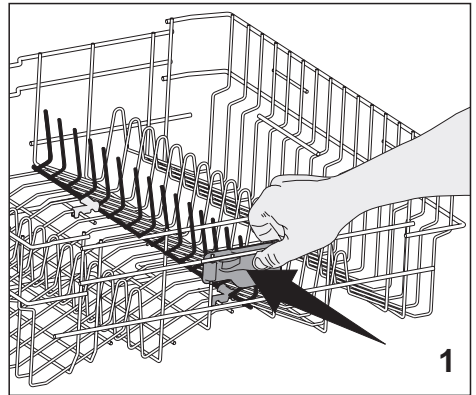


If you wish to place large-volume pieces on the upper basket, release the tab of the glass support piece from the upper basket wire it is hooked to. Thus, you can obtain a wider space.

## Collapsible upper basket wires

(depends on the model)

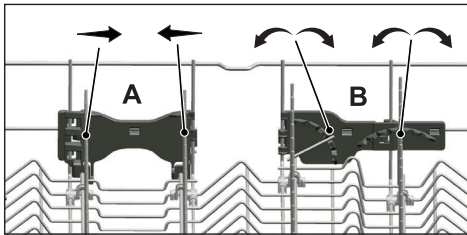
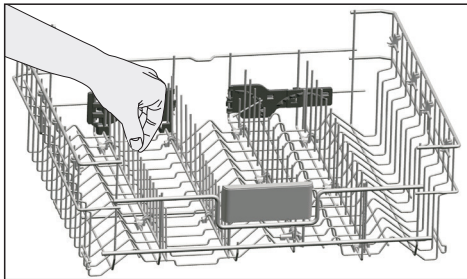
To bring the collapsible wires on the upper basket of the machine into horizontal position, press on the latch (1). Place your larger dishes into the area created (2). To bring the wires back to vertical position, just lift them up.



## Collapsible upper basket tines

(depends on model)

There are foldable tines on the upper basket of the machine that you can lay down when you need larger space for big dishes. On your upper basket there are two types of laying tines namely, fully laid system (A) and gradually laid system (B). To bring the foldable tines into horizontal position, push the tines in the direction of the arrow by holding from the middle. Place your larger dishes into the area created. To bring the tines back to vertical position, just lift them up. Foldable tines will then snap in the latch again.



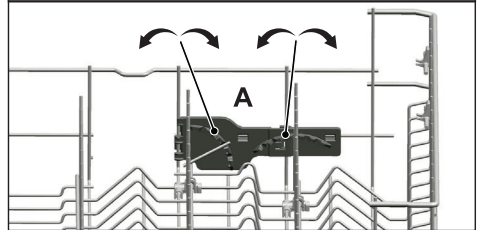
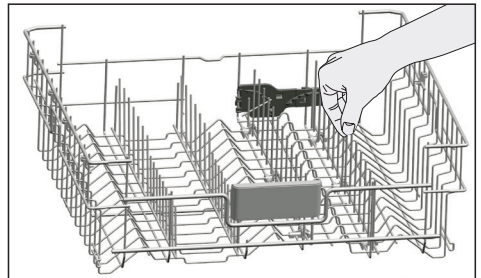
Holding the tines from ends to put them in lying position may cause the tines to bend. For this reason, it will be appropriate to hold the tines in the middle from their bottoms and to push in the direction of the arrow to lay down or bring them to vertical position.

## Collapsible upper basket tines

(depends on model)

Upper basket of the machine is equipped with tines with gradual folding system (A) that you can lay down when you need a larger space for large dishes.

To bring the collapsible tines into horizontal position, grab the tines from mid position and push them in the directions of arrows. Place your larger dishes into the area created. To bring the tines back to vertical position, just lift them up. Collapsible tines will click into the latch again.



Bringing the tines to the horizontal position by holding them from the tips may cause them to bend. Therefore, it will be appropriate to bring the tines in the middle to horizontal or vertical position by holding them from their stems and pushing in the direction of arrow.

## Adjusting the height of the upper basket

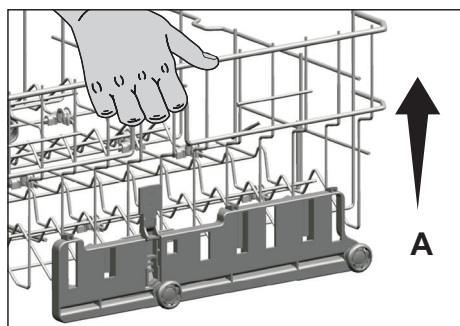
(depends on model)

Basket adjustment mechanism on the loaded upper basket of the machine is designed to allow you create taller areas in the upper or lower section of the machine based on your requirements by adjusting the height of the loaded basket in up or down directions.

To raise the basket:

Grab one of the upper basket wires (right or left) and lift it up (A).

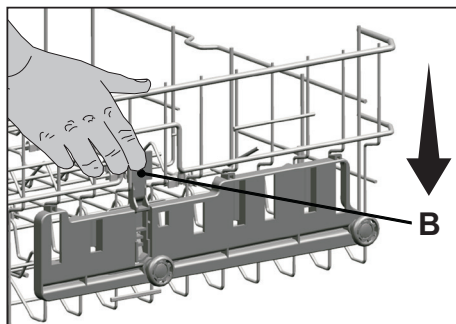
Repeat the same process to raise the other side of the basket.



Make sure that both sides of the loaded basket height adjustment mechanism are at the same level (down or up).

To lower the basket:

Press the latch on the loaded basket adjustment mechanism (right and left) to lower the basket (B).



Repeat the same process to lower the other side of the basket.

Make sure that both sides of the loaded basket height adjustment mechanism are at the same level (down or up).

### Adjusting the height of loaded upper basket

(depends on model)

Basket adjustment mechanism on the upper basket of the machine is designed to allow you create wider areas in the upper or lower section of the machine based on your requirements by adjusting the height of the loaded basket in up or down directions without removing it from the machine.

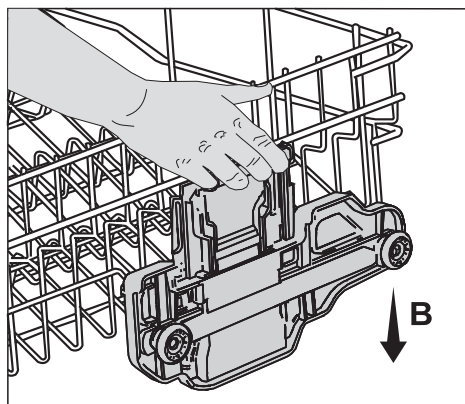
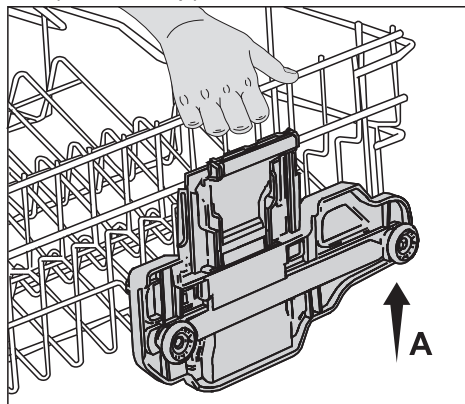
To raise the basket:

1. Grab one of the upper basket wires (right or left) and lift it up (A).
2. Repeat the same process to raise the other side of the basket.
3. Make sure that both sides of the basket height adjustment mechanism are at the same level (down or up).

To lower the basket:

1. Press the latch on the basket adjustment mechanism (right or left) to lower the basket (B).
2. Repeat the same process to lower the other side of the basket.

3. Make sure that both sides of the basket height adjustment mechanism are at the same level (down or up).



## Height setting with empty basket

(depends on model)

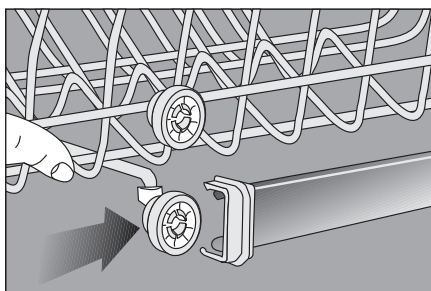
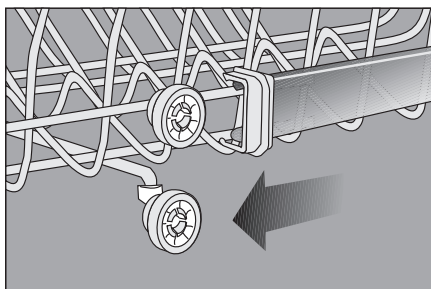
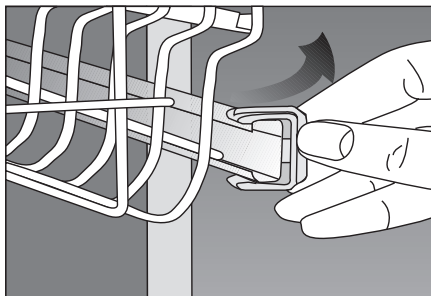
In this model, the height setting of the upper basket may be changed using the wheels which are mounted at two different heights.

Release the latches on both the right and left tracks of the upper basket by pushing them outwards

Pull out the basket out completely.

Place the basket back into the tracks at the desired height

Push the latches back into the correct position.



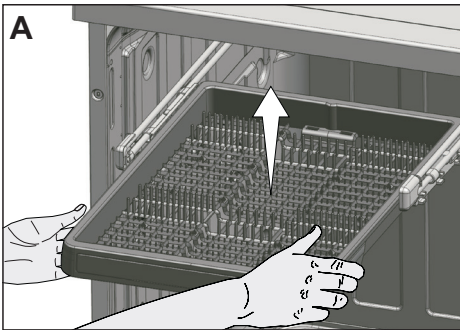
## Upper cutlery basket

(depends on model)

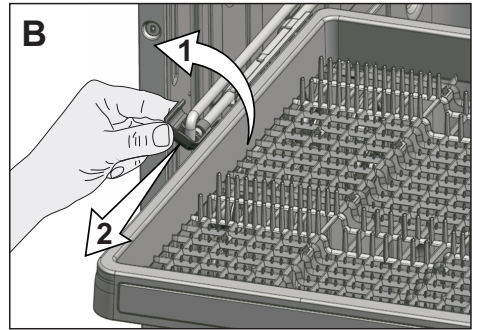
The upper cutlery basket is designed for small dishes, or long items that cannot fit into the lower cutlery basket.



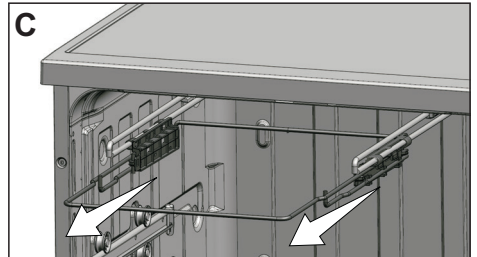
Thanks to the easy take-out-from-the-machine feature, it allows taking out the dishes from the machine together with the basket after they are washed (A). Since it can fit into all standard size drawers, it does not require the dishes to be removed from the basket and placed into the kitchen drawers or shelves.



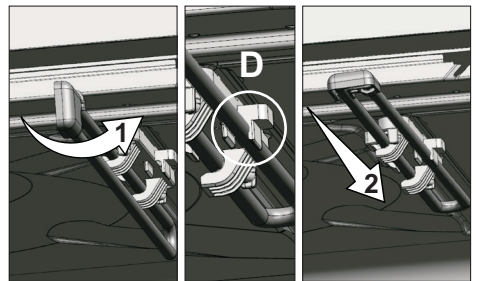
If you don't want to use the upper cutlery basket, pull it back to yourself to remove it from the machine, rotate the rail lids towards outside and pull them towards yourself to take them out (B).



After taking out the basket by lifting it up, remove the carrier part from the rails by pulling it towards yourself (C).

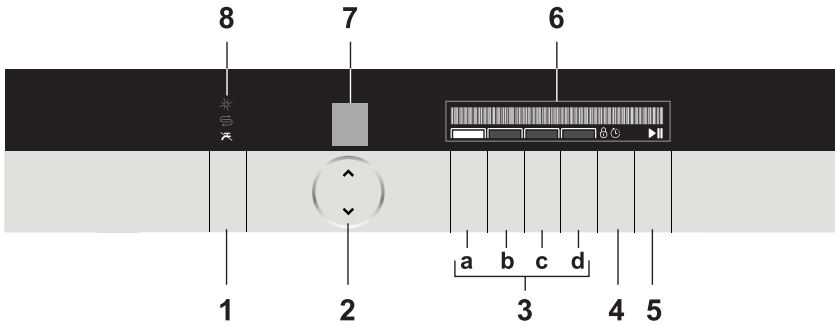


Replace the rail lids and push them back to seat them into their places. Turn the rails inside the machine sideways to seat them properly in their places (D).

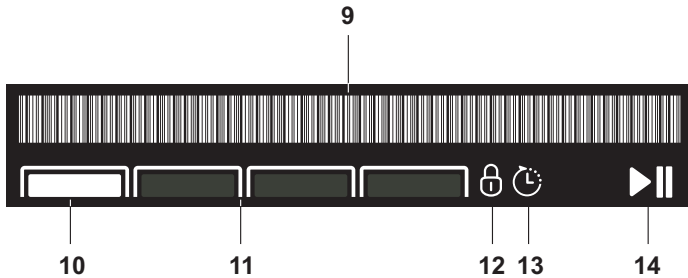


In order to replace the upper cutlery basket into its place again, repeat the same process in reverse order.

## 5 OPERATING THE PRODUCT



1. On / Off key
2. Programme Selection keys
3. Function keys
  - a) HomeWhiz key
  - b) Quick Wash key
  - c) Extra Shining (Child Lock) key
  - d) TurboWash (Settings Menu) key
4. Time Delay key



- |  |                                      |
|--|--------------------------------------|
| 5. Start / Pause / Cancel key                                      | 10. Function Selected indicator      |
| 6. Display   | 11. Function Selectable indicator    |
| 7. Programme indicator   | 12. Child Lock indicator             |
| 8. Rinse Aid (*) / Salt (S) / Water Cut-off (A) Warning indicators | 13. Time Delay indicator             |
| 9. Display Information line  | 14. Start (▶) / Pause (  ) indicator |

### Keys

#### On / Off key

It is used to turn on or off the machine. Press the On / Off key for 1 second to turn on. Buzzer will go off and machine will turn on at the end of 1 second.

Press the On / Off key for 1 second to turn off. Buzzer will go off and machine will turn off at the end of 1 second.

When the On/Off key is pressed while the programme is running, "Switching off 3", "Switching off 2", "Switching off 1" will be displayed on the display information line and 3 seconds later the machine will turn off with the end melody.

Machine will turn on with economy programme in On mode and the number of the economy programme will appear on the programme indicator.

#### Start / Pause / Cancel key

It is used to start, pause or cancel the selected programme or function.

#### Programme Selection keys

They are used to select the washing programme you determined from the table of "Programme data and average consumption values". Use up arrow to switch to the next programme, and down arrow to switch to the previous one. It returns to beginning or to end after the first and last programs.

#### Function keys

Using auxiliary functions enable you to save time, water and energy and to perform a more comfortable washing with conditions specific to you.

#### Time Delay key

It should be pressed to make the time delay settings.

### Preparing the machine

1. Open the tap.
2. Plug in to the socket.
3. Open the door of the dishwasher.
4. Place the dishes in accordance with the instructions in the user manual.
5. Make sure that the upper and lower impellers rotate freely.
6. Put adequate amount of detergent into the detergent dispenser.
7. Check if the Salt and Rinse Aid indicators light and add salt and/or rinse aid if needed.
8. Close the door of the dishwasher.

### Programme selection

1. Press On / Off key to turn on your machine.
2. Refer to the table of "Programme data and average consumption values" to determine a washing programme suitable for your dishes.
3. Press Programme Selection keys until the number of the programme you selected appears on the Programme indicator. Use up arrow to switch to the next programme, and down arrow to switch to the previous one.

Programme Table										
Programme number	1	2	3	4	5	6	7	8	9	10
Programme name	Eco (Eko *)	Auto (Otomatik)	Prewash (On Yıkama)	Mini (Mini 30')	Delicate (Hassas)	Express (Hızlı 58')	Intensive (Yogun)	Hygiene+ (Elstra Hijyen)	Mix Wash+ (Kama)	SilentWash
Cleaning temperature	50 °C	40-65 °C	-	35 °C	40 °C	70 °C	70 °C	70 °C	-	50 °C
Degree of Soiling	Most economical washing programme for the medium soiled daily dishes that are kept waiting.	Determines the soiling degree of the dishes and sets the temperature and amount of the washing water as well as the washing time automatically. Suitable for all types of dishes.	Suitable for removing the remnants on the soiled dishes that will be kept waiting in the machine for a few days, and thus for preventing the bad odour buildup.	Suitable for lightly soiled daily dishes that are scrapped or pre-cleaned.	Special programme for gentle cleaning of delicate glassware.	Daily washing programme at which the medium soiled dishes that are kept waiting are cleaned in the fastest way.	Suitable for heavily soiled dishes, pots and pans.	Suitable for the dishes which require extra hygiene such as articles for babies. Also suitable for heavily soiled dishes.	It is the most suitable washing programme for daily mixed dishes including plastic items. While delicate glass items are washed in the upper basket, pans and trays can be washed in the lower basket.	It is the daily washing programme to wash the normally soiled left dishes in the most silent way.
		Medium	Medium to high	Low	Low	Low	High	High	Medium	Medium
Detergents	A+B	A	-	A	A	A+B	A+B	A+B	A+B	A
A=25 cm <sup>3</sup> /15 cm <sup>2</sup> B=5 cm <sup>3</sup>	+	+	+	-	+	-	+	+	+	+
Prewash	+	+	-	+	+	+	+	+	+	+
Wash	+	+	-	+	+	+	+	+	+	+
Dry	+	+	-	-	+	+	+	+	+	+
Duration (min)	230	108-170	15	30	83	58	143	124	177	261
Water (l)	10	10,2-14,2	4	10,4	13,4	10,2	16,2	17,8	18,6	9,4
Energy (kWh)	0,82	0,90-1,45	-	0,80	0,88	1,32	1,26	1,97	1,36	1,15

The consumption values shown in the table were determined under standard conditions. Differences may therefore occur under practical conditions. \* Reference programme for testing institutes. The tests in accordance with EN 50242 must be carried out with a full water softener salt dispenser and a full rinse aid reservoir, and using the test programme.

### Auxiliary functions

Washing programmes of your dishwasher are designed to obtain the best cleaning effect, considering the type of the soil, soiling degree and properties of the dishes to be washed. Auxiliary functions are provided in order to enable you to save time, water and energy and to perform a more comfortable washing with conditions specific to you.

For example, if you think that your dishes are lightly soiled, you can make the washing programme more economical and save time and water thanks to the Quick function.



Auxiliary functions are not suitable for all washing programs. Indicator of the auxiliary function that is not compatible with the programme will not be active.

Functions that are suitable to the selected programme are specified in the "Application of Functions" table.



You will obtain a better drying performance if you select the Tablet function when you use a multi-purpose detergent.

### QuickWash function

It shortens the time of the washing cycle selected and decreases water consumption by enabling washing under higher pressure.

### Extra Shining function

It provides superior drying performance.

### WLAN Setup

Using the wireless connection, your smart device can perform all the actions on your Dishwasher except for the child lock. You can perform instant status monitoring and receive notification e-mails using the HomeWhiz application.

- In order to use the wireless connection feature, install the HomeWhiz application from AppStore (Apple) or Google Play Store (Android) on your smart device.
- To introduce your dishwasher to your home network for the first time, switch the "WLAN Setup: Off" setting to On position by pressing the Quick Wash key.
- Connect to the "Dishwasher AP" network on your smart device. Use the password on the dishwasher display to get connected. (The password is generated automatically. It will be different for each setup.)
- Start the HomeWhiz application on your smart device. Give a name to your dishwasher and enter your e-mail address in order to receive warning e-mails. Press the Scan for Networks button.
- From the scanned networks list, select your home network, press the "Connect" button and enter the password of your home network. "Connecting..." will appear on the dishwasher display.
- When your dishwasher establishes the connection, "Connected" will appear on the dishwasher display. It will switch to "WLAN: On",

“WLAN Setup: Off”.

- Restart the application by connecting to your home network again through your smart device. You can start using your dishwasher, whose wireless connection setup you have made, via your smart device.



After performing the initial wireless connection setup for your dishwasher, you do not need to perform the setup again as long as you do not change the name or the password of the home network.

In order to disable the wireless connection feature, switch the “WLAN: On” setting in the Settings menu to Off by pressing the Quick Wash key. When you enable it again, your machine will connect to the home network by using the setup settings you made before.

### Troubleshooting

Follow these instructions if you encounter a control or connection problem. If it persists, take the next step.

1. Check if your smart device is connected to the relevant home network.
2. Close the HomeWhiz application on your smart device and start it again.
3. Restart your smart device.
4. Go to the settings menu of your dishwasher and check the wireless connection status. If you see “WLAN: Off”, switch it to “WLAN: On” and wait for the machine to connect. Then close the HomeWhiz application on your smart device

and start it again.

5. If the connection cannot be established following the instructions above, repeat the initial setup settings on the product.
6. If the problem persists, contact the authorised service.

### HomeWhiz

Using the HomeWhiz function, your smart device can perform all the actions on your Dishwasher except for the child lock. You can perform instant status monitoring and receive notification e-mails.



Wireless connection function of the machine must be on in order to be able to use the HomeWhiz function.



While the HomeWhiz function is enabled, you can only perform On / Off actions and status monitoring on the machine.



If the HomeWhiz function is off, you can perform all the operations through the machine but you can perform only status monitoring via your smart device.

You can check if the HomeWhiz function is enabled or disabled by checking the function indicator located on the key. Function frame on the key will be dim in cases where the HomeWhiz function cannot be enabled. For example, when the wireless connection setting is off or the door of the machine is open.



HomeWhiz function works independently of your machine's being switched on or off.

The function will be disabled when the door of the dishwasher is open, when operations regarding On/Off are performed and when the electricity is cut off. It can be enabled again using the HomeWhiz key.

HomeWhiz function can send instant status notifications to the e-mail address you have entered during the installation of the application. You can enable the e-mail function by entering your e-mail address when installing the application. You can cancel or enable again the e-mail feature from the settings menu of your application any time you want.

Your dishwasher will send e-mails in the following cases.

- When the appliance is switched on
- When the appliance is switched off
- When the appliance is operated
- When the programme is paused
- When the programme is finished
- For warnings such as Door Open and etc.



Your internet service provider must enable access to the port number 587 in order for you to be able to use the e-mail feature. If you have a problem with the e-mail feature, contact your internet service provider to find out the suitability of the relevant port.

detergents such as 2in1, 3in1, 4in1, 5in1, all in one, etc., depending on the hardness level of the mains water. Refer to the programme and consumption table in order to see with which programmes the detergent tablets function can be used.



Unlike the other functions, the tablet detergent function is selected from the Settings menu. Once you have selected it, it will remain so as long as you do not disable it from the Settings menu.



Tablet function may cause changes in the programme duration.



When you select the tablet function, rinse aid warning indicator will go off automatically.

### Tablet detergent function

This function provides better drying performance with the multi-purpose

Programme	Functions		
	QuickWash	Extra Shining	Lower Basket TurboWash
Eco	+	+	+
Auto	-	-	-
Prewash	-	-	-
Mini 30'	-	+	-
GlassCare	+	+	+
QuickWash 58'	-	+	-
Intensive	+	+	+
Hygiene	-	+	-
All-in-Wash	+	+	+
Silent	-	+	-

“-” sign indicates that the relevant function cannot be selected and “+” sign indicates that it can. Selected functions may cause changes in the programme duration.

### Lower Basket TurboWash function

It runs the lower impeller of the selected programme with more pressure and flow rate to provide advantage in washing the dishes such as cooking pots and pans, which have hard-to-remove dry stains.

#### To add auxiliary function to the programme:

1. Select the desired washing programme by pressing the programme selection key.
2. Auxiliary functions that are active in the washing programme will appear on the function selectable indicator. Select the auxiliary function by pressing the key of the active function.
3. Selection will be cancelled when you press the function key again.

### Programming the washing time

#### Time Delay

If an economical electricity tariff is applied in your region, you can use the time delay function to wash your dishes during appropriate hours.

You can delay the start time of the selected program up to 24 hours.

Time delay cannot be set after the programme has started.

1. Press the time delay key after selecting the washing programme and other auxiliary functions.
2. When you press the time delay key, “0:00” will appear on the Display Information Line and the Time delay indicator will start blinking.
3. Set the desired time by pressing the time delay key. Time will increase with increments of 30

minutes up to 6 hours and after that with 1 hour increments up to 24 hours every time you press the key.

4. Press Start / Pause / Cancel key to start countdown for the time delay. Time delay indicator and Start / Pause indicator will light continuously until the end of the period. Time delay is displayed on the Display Information Line. Selected programme will start as soon as the countdown is over.

### Changing the settings while the time delay is active

While the time delay function is activated, you cannot make changes in the washing programme, auxiliary functions or the duration of delay time.



Programme and auxiliary functions cannot be set/changed after the programme has started.



When you press the key without canceling the time delay function, "Time Delay On" warning will be displayed.

### To cancel the time delay function

1. Hold and press the Start / Pause / Cancel key for 3 seconds.
2. When the Start / Pause / Cancel key is pressed and hold, "Cancel 3", "Cancel 2", "Cancel 1" appear on the Display Information Line. At the end of the cancellation process, time delay indicator will turn off and delaying process will be cancelled.



You can select and start a new programme after the cancellation of time delay function.



Time delay function cannot be set after the programme has started.

## Starting the programme

After selecting the programme and auxiliary functions, press Start / Pause / Cancel key to start your machine. When the programme is started, Start / Pause indicator (▶) flashes. "Programme Started" appears on the Display Information line for 3 seconds.



Your machine performs water softening depending on the hardness level of the mains water. Remaining time displayed towards the end of the programme can be different from the time indicated at the beginning due to this process. The total time can also change while the programme is running depending on the ambient temperature where your machine is installed, temperature of the mains water and amount of the dishes.



Pay attention not to open the door of the machine when it is running. Stop the machine by pressing Start / Pause / Cancel key if you have to open the door. Then, open the door of the machine. There may be a rush of vapour when you open the door of your machine; be careful. Close the door and press Start/Pause/Cancel key again. Programme will resume running.

### Programme follow-up

You can follow-up the washing step in which the current programme is in from the Display Information line messages as well as from the remaining time. Messages related to Washing, Rinsing and Drying steps will be displayed respectively on the Display Information line while the selected programme is running. Programme step is shown as left aligned and the remaining time is shown as right aligned. This screen and bar screen alternate in every 10 seconds.



The machine will remain silent in pause mode for some time in order to remove the water in the machine and on the dishes completely and to have the water softener cleaned, and then it will resume running in drying mode.

### Child Lock

You can prevent other people from affecting and changing the programme

flow and time delay while the machine is running.

#### To activate the child Lock:

1. Press and hold the Child Lock key for three seconds (the same key as the Extra Shining Function):
2. An audible signal will be heard when the child lock key is pressed for the first time. If you keep on pressing and holding the child lock key, "Child Lock: 3", "Child Lock: 2", "Child Lock: 1", Child Lock: On" will appear on the Display Information line. If any key other than the On/off key is pressed while the child lock is active, "Child Lock: On" will appear on the Display Information line along with a warning sound.



Child lock prevents the selected programme or functions from being changed and disables the Start / Pause / Cancel key.



Child lock does not lock the door of the machine.




If you switch your machine off by using On/Off key at the end of the programme, the child lock will be deactivated automatically.


#### To cancel the child Lock:

1. Press and hold the Child Lock key for 3 seconds.
2. When the Child Lock key is pressed and hold for a long time, "Child Lock: 3", "Child Lock: 2", Child Lock: 1" and "Child Lock: Off" will appear on the Display Information line.

## Canceling the programme

1. Press and hold the Start / Pause / Cancel key for 3 seconds to cancel the programme.
2. When the Start / Pause / Cancel key is pressed and hold, "Cancel 3", "Cancel 2", "Cancel 1" will appear on the Display Information line.
3. When the cancelling process starts, "Cancelling..." will appear on the Display Information line and once the process is completed, "Cancelled" message will be shown on the Display Information line. The machine will perform the operations necessary for the programme cancellation for a few minutes.

 You can select and operate a new programme after the cancellation of the programme.


 There might be residues of detergent or rinse aid left in the machine and / or on the pieces being washed depending on the step in which the programme has been cancelled.

## Changing the auxiliary function

You must cancel the programme first in order to change the auxiliary functions after the programme has started. Then you can select and start a new programme and new functions.

## Machine settings

In order to change "Water Hardness", "Active Self-Cleaning Filter", "Inner Illumination", "Doormatic", "Volume", "Brightness", "Language", "WLAN", "WLAN Setup" and "Tablet" settings which you are going to use in your machine or to restore the factory settings, you can use the "Settings menu".

 "Active Self-Cleaning Filter", "Inner Illumination" or "Doormatic" or "WLAN" features may not be available in your machine depending on its model.

### To enter the settings menu:

1. Switch on the machine by pressing the On / Off key.
2. Enter the "Settings Menu" by pressing and holding the Settings Menu key (the same key as the Lower Basket TurboWash" for 3 seconds.
3. "Settings 3", "Settings 2", "Settings 1" will appear on the Display Information line and you will enter the Setting Menu after 3 seconds.

Settings 3"



4. After entering into the "Settings menu", press the Extra Shining key to switch to the next main menu and press HomeWhiz key to go back to the previous main menu.
5. Use the Quick Wash key to make changes in the menus. Changes that have been made are saved automatically.



You will be asked for your approval when changes are made in "Language" or "Factory Settings?" menus.

- After making changes in the "Language" setting or in the "Factory Settings?" menu, press one of the Extra Shining / HomeWhiz keys in order to save these changes. Following message will be displayed upon pressing the key.

Store settings?



Press Quick Wash key to save the change. If you press the HomeWhiz key without making any change in the menu, you will switch to the next setting menu and the settings set will not be saved.

- Press and hold the Lower Basket TurboWash key for 3 seconds to exit the "Settings Menu".
- "Exit settings 3", "Exit settings 2", "Exit settings 1" will appear on the Display Information line and you will exit the Settings Menu after 3 seconds.

Exit settings



Time Delay and Start / Pause / Cancel keys do not have any function in the "Settings Menu". Pressing these keys has no effect.

### Adjusting the Water Hardness

You must adjust the "Water Hardness" level to one of the following values

that suits the properties of your water mains.



Adjust the water hardness level according to the Water hardness level instruction supplied with your machine.

- Lime-free
- Very slightly limy
- A little limy
- Mediocre limy
- Limy
- Very much limy

Water Hardness: 1



### Active self-cleaning filter

When you enable this function, your micro filter will be cleaned by a special system at the end of washing process and it is made ready to use for the next time. This cleaning process increases the cleaning period of the micro filter from 2 weeks to 3 months and thus boosts the washing performance.

Employing this function in every washing cycle is recommended in order to get the most out of it.

There are two options, namely "On" and "Off" for this function. It is set to "Off" at the factory. You have to change this from "Off" to "On" position if you want to use the function. (This feature may not be available depending on the model you have purchased.)

Active self-cleaning filter: Off



Active self-cleaning filter: On



### Inner Illumination

When you enable this function, internal illumination lamp will light every time you open the door of your machine. There are two options, namely “On” and “Off” for this function. It is set to “Off” at the factory. (This feature may not be available depending on the model you have purchased.)

### Doormatic

When you enable this function, the door of your machine will be opened automatically at the end of the washing programme. Thus, the drying efficiency is increased and energy saving is provided. There are two options, namely “On” and “Off. It is set to “On” at factory. (This feature may not be available depending on the model you have purchased.)



Doormatic : On



If the Doormatic is enabled, the door of the machine will open automatically within 2 minutes at the end of the washing process. The lock mechanism prevents the door from being closed within the next 1 minute. Do not try to close the door during this period.



Do not unload your machine for 30 minutes after the door has opened automatically. Thus, you will obtain a better drying performance.



You should not stand in front of the door while it is opening.

When you switch “Doormatic” feature to Off position, it will be disabled for all programmes.



Doormatic : Off

If you want to enable it again, switch the “Doormatic” feature back to “On” position again after entering in the “Settings menu”.

### Volume setting

Select one of the following levels for the volume setting:

1. High
2. Low

### Brightness

You can adjust screen brightness to a level between 1 and 3.

### Language

“Language” menu contains 3 different language options in total.

1. Türkçe
2. English
3. Deutsch



Language: English

1. Select the desired language by pressing the Quick Wash key.
2. Following message will be displayed when either the HomeWhiz or the Lower Basket TurboWash keys is pressed in order to save the selected language.



Store settings?


- Press Quick Wash key to store the changes or press HomeWhiz key to exit the language menu without saving.

### Factory Settings?

Proceed as indicated below to cancel all of your personal settings and restore the factory settings:



- Press the Quick Wash key. Following message will be displayed upon pressing the key.



- Press Quick Wash key to store the changes or press HomeWhiz key to exit this menu without saving.

When factory settings are restored, settings will have the following values:

Language = Deutsch

Brightness = 2

Tablet = Off

\* WLAN = Off

\* WLAN Setup = Off

\* Doormatic = On

\* Active Self-Cleaning Filter = Off

\* Inner Illumination = On

Volume = High


Water Hardness = 1

\* These menus may not be available depending on the model of your machine.

## Warning messages

Your machine will give you some important feedbacks while it is running.

### Check the filter



Take out and clean your filters as explained in the "Maintenance and cleaning" section when you get a 'check the filter' warning.

If there is water remained in the tank, ensure that the water in the tank is discharged by applying Programme cancelation process. If water cannot be discharged, clean any leftover deposits that have piled up in the bottom of the tank and blocked the water path. Clean the interior of your machine and the tank by running a prewash programme without detergent or a long washing programme with detergent based on the degree of dirtiness.



Always make sure that you scrape the large food remnants on your dishes into a dustbin using a fork, paper towel or a tissue before placing them into the machine.

### Salt indicator (S)

Please check the salt indicator on the display to see whether there is adequate amount of softening salt in the dishwasher or not. You need to refill the salt reservoir with salt whenever salt warning indicator appears on the display of your machine.



Salt indicator warning will go off automatically once the programme is started.

### Rinse Aid indicator (✳)

Please check the rinse aid indicator on the display to see whether there is adequate amount of rinse aid in the dishwasher or not. You need to refill the rinse aid reservoir with rinse aid whenever rinse aid warning indicator appears on the display of your machine.



Rinse aid warning will go off automatically once the programme is started.



When the Tablet function is selected, rinse aid warning indicator will go off automatically.

### Water Cut-off indicator (✂)

Water Cut-off warning indicator will light when the machine cannot take in water and "No water!" warning is displayed on the Display Information line. When the water is supplied again, warning light will be turned off automatically.

No water !



Make sure that the water is not cut-off and the tap is not closed when the Water Cut-off warning light is illuminated. Call Authorised Service Agent if water is not cut-off and the tap is open.

## Call service

Call service

Please call the service when you see this warning on the Display Information line. It is possible that your machine has taken in plenty of water due to various reasons.

## End of programme

Once the washing programme is over, "Program over" will be displayed on the Display Information line.

1. Press On / Off key to turn off your machine.
2. Close the tap.
3. Unplug the machine from the socket.



At the end of the programme or if no programme is started, in order to provide energy saving the machine is automatically switched off after a certain amount of time



Leave your dishes in the machine for about 15 minutes after they are washed in order to have them cooled down. Your dishes will dry in a shorter time if you leave the door of your machine ajar during this period. This process will increase the drying effectiveness of your machine.

## 6 MAINTENANCE AND CLEANING

Service life of the product extends and frequently faced problems decrease if it is cleaned at regular intervals.



Unplug the product and turn off the tap before attempting any cleaning procedures.



Do not use abrasive substances for cleaning.



Clean the filter and impellers at least once a week to ensure the machine operates efficiently.

### Cleaning the outer surface of the product

Clean the outer surface and door gaskets of the product gently with a mild cleaning material and damp cloth. Wipe the control panel only with a damp cloth.

### Cleaning the interior of the machine

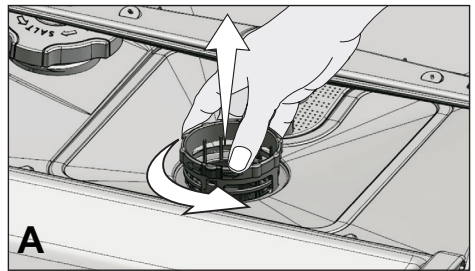
- Clean the interior of the machine and the tank by running a prewash programme without detergent or a long washing programme with detergent based on the degree of dirtiness.
- If water has remained in the machine, drain the water by performing the procedures under the topic “Cancelling a programme”. If the water cannot be discharged, clean any leftover deposits that have piled up in the bottom of the machine, blocking the water path.

### Cleaning the filters

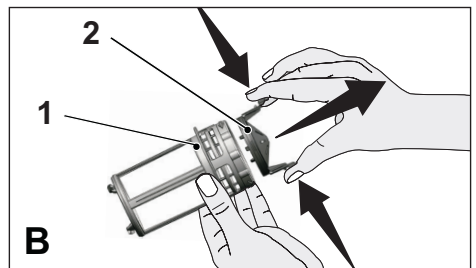
Clean the filters at least once every three months in order for the machine operates efficiently. Check if food residues are left on the filters. If there are food residues on filters, take them out and clean well under running water.



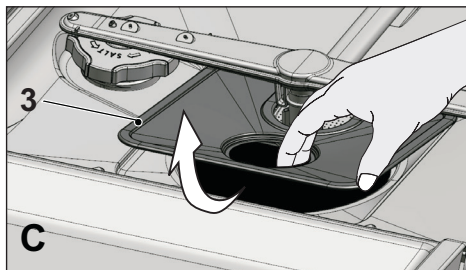
Filter cleanliness is increased by 80% with the micro filter cleaning system available on your machine.



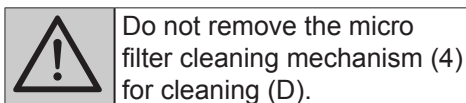
1. Turn the micro filter (1) and coarse filter (2) assembly counterclockwise and pull it out from its seating (A).
2. Press the two pawls on the coarse filter inwards and separate the coarse filter from the assembly (B).



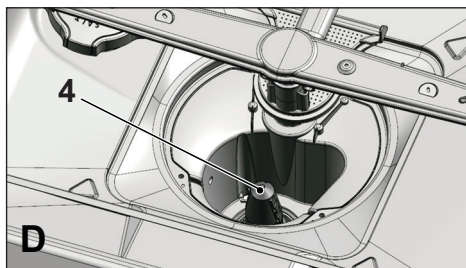
3. Pull out the metal / plastic filter (3) from the seating (C).



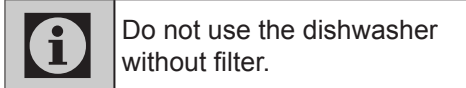
4. Clean all three filters under tap water by means of a brush.



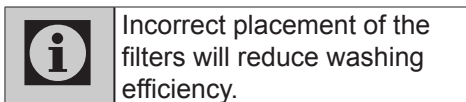
Do not remove the micro filter cleaning mechanism (4) for cleaning (D).



5. Replace the metal/plastic filter.
6. Place the coarse filter into the microfilter. Make sure that it is properly seated. Turn the coarse filter clockwise until a “click” sound is heard.



Do not use the dishwasher without filter.



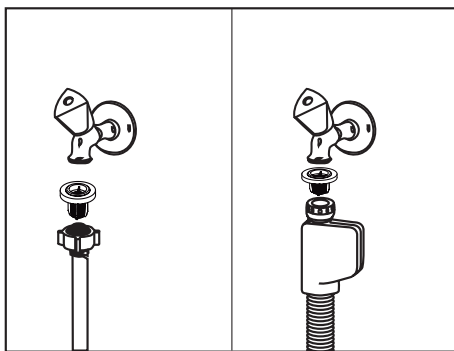
Incorrect placement of the filters will reduce washing efficiency.

## Cleaning the hose filter

Damages on the machine that may be caused by impurities coming from the urban supply water or your own water installation (such as sand, dirt, rust, etc.) can be prevented by means of the filter attached to the water inlet hose. Check the filter and the hose regularly and clean them if necessary.

1. Turn off the tap and remove the hose.
2. After taking out the filter, clean it under running tap water.
3. Place the cleaned filter back to its seat in the hose.
4. Install the hose to tap.

(depends on model)

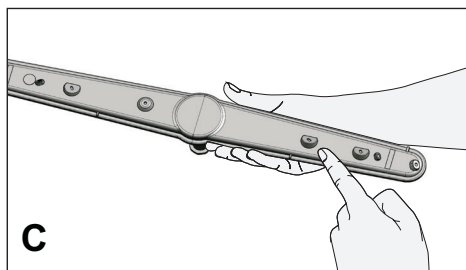
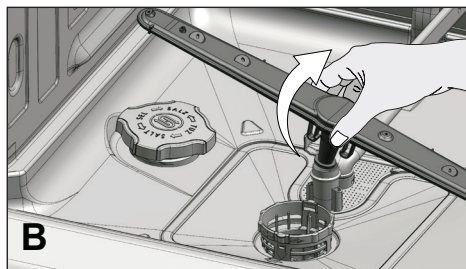
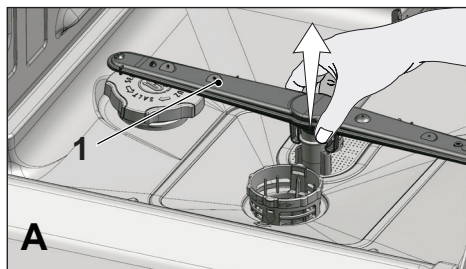


### Cleaning the impellers

Clean the impellers at least once a week in order for the machine operates efficiently.

#### Lower impeller

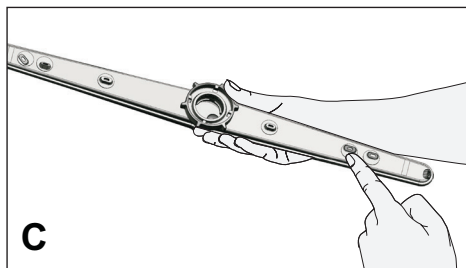
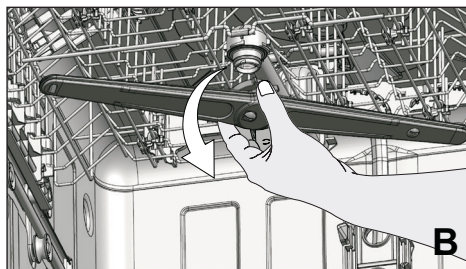
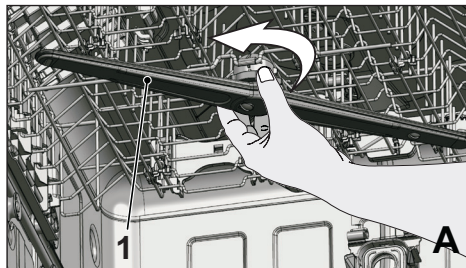
Check if the holes on the lower impeller (1) are clogged. If they are clogged, remove and clean the impeller. Pull the lower impeller up to remove it (A, B).



#### Upper impeller

Check if the holes on the upper impeller (1) are clogged. If they are clogged, remove and clean the impeller. Turn its nut to left to remove the upper impeller (A, B).

Make sure that the nut is tightened well when installing the upper impeller.

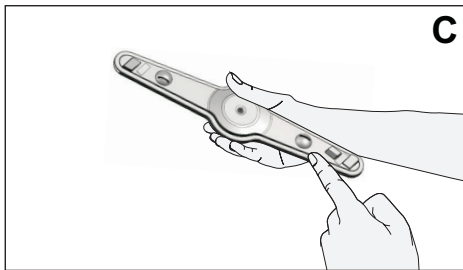
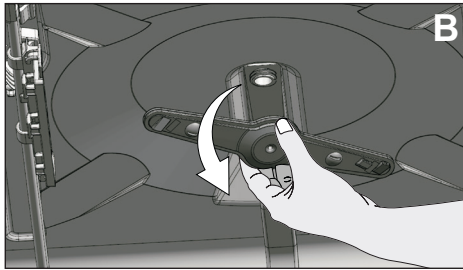
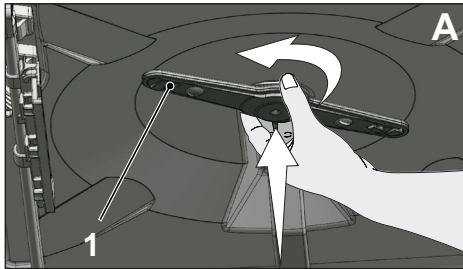


### Ceiling Impeller

Check if the holes on the top ceiling impeller (1) of your machine are clogged. If they are clogged, remove and clean.

To remove them, slightly (↑) push them upwards and then (↶) turn left (A,B).

To install the impeller, seat it into its slot, push slightly upwards and turn it rightwards until it is securely tightened. When the impeller is released, check if it rotates without any obstruction.



## 7 TROUBLESHOOTING

### Machine does not start.

- Power cable is unplugged. >>> Check if the power cable is plugged in.
- Fuse is blown. >>> Check the fuses in your house.
- Water is cut. >>> Make sure that the water inlet tap is open.
- Door of the machine is open. >>> Make sure that you have closed the door of the machine.
- On / Off button is not pressed. >>> Make sure that you have turned on the machine by pressing the On / Off button.

### Dishes are not washed clean

- Dishes are not placed orderly in the machine. >>> Load the dishes as described in the user manual.
- Selected programme is unsuitable. >>> Select a programme with a higher temperature and cycle time.
- Impellers are stuck. >>> Prior to starting the programme, turn the lower and upper impellers by hand to make sure that they rotate freely.
- Impeller holes are clogged. >>> Lower and upper impeller holes might be clogged with food remnants such as lemon pips. Clean the impellers regularly as illustrated in section "Cleaning and Care".
- Filters are clogged. >>> Check if the filter system is clean. Clean the filter system regularly as illustrated in section "Cleaning and Care".
- Filters are installed incorrectly. >>> Check the filter system and make sure that it is installed correctly.
- Baskets are overloaded. >>> Do not overload the baskets in excess of their capacity.
- Detergent is stored under unsuitable conditions. >>> If you are using powder detergent, do not store the detergent package in humid places. Keep it in a closed container if possible. For ease-of-storing, we recommend you to use tablet detergents.
- Detergent is not sufficient. >>> If you are using powder detergent, adjust the amount of detergent according to the soiling degree of your dishes and/ or programme definitions. We recommend you to use tablet detergents for optimum results.
- Rinse aid is not sufficient. >>> Check the rinse aid indicator and add rinse aid if necessary. Increase the rinse aid setting if there is enough amount of rinse aid in the machine.
- Detergent dispenser lid is left open. >>> Make sure that the detergent dispenser lid is closed tightly after adding detergent.

### Dishes are not dry at the end of cycle

- Dishes are not placed orderly in the machine. >>> Place your dishes in a way that no water will accumulate in them.

- Rinse aid is not sufficient. >>> Check the rinse aid indicator and add rinse aid if necessary. Increase the rinse aid setting if there is enough amount of rinse aid in the machine.
- Machine is unloaded right after the programme is over. >>> Do not unload your machine right after washing process is completed. Slightly open the door and wait for evacuation of the steam inside for a while. Unload the dishes after the pieces cool down to a touchable level. Start unloading process from the lower basket. Thus, dropping of water remained on a piece at upper basket onto the pieces at lower basket is prevented.
- Selected programme is unsuitable. >>> Since rinsing temperature is low at programmes with short duration, drying performance will also be low. Select programmes with longer duration for a higher drying performance.
- Surface quality of the kitchen utensils is deteriorated. >>> Desired washing performance can not be obtained on kitchen utensils with deteriorated surfaces and it is not suitable to use such utensils in terms of hygiene as well. Also, water can not flow easily on deteriorated surfaces. It is not recommended to wash such kitchen utensils in dishwasher.



It is normal that drying complaints can be experienced with Teflon kitchen utensils. It is associated with the structure of Teflon. Since the surface tensions of Teflon and water are different, water droplets will remain as beads on the Teflon surface.

### **Tea, cafe or lipstick stains remain on dishes.**

- Selected programme is unsuitable. >>> Select a programme with a higher temperature and cycle time.
- Surface quality of the kitchen utensils is deteriorated. >>> Tea and cafe stains or other dye spots may not be cleaned in dishwasher when they have penetrated in deteriorated surfaces. Desired washing performance can not be obtained on kitchen utensils with deteriorated surfaces and it is not suitable to use such utensils in terms of hygiene as well. It is not recommended to wash such kitchen utensils in dishwasher.
- Detergent is stored under unsuitable conditions. >>> If you are using powder detergent, do not store the detergent package in humid places. Keep it in a closed container if possible. For ease-of-storing, we recommend you to use tablet detergents.

### **Lime traces remain on dishes and glassware gains a misty appearance**

- Rinse aid is not sufficient. >>> Check the rinse aid indicator and add rinse aid if necessary. Increase the rinse aid setting if there is enough amount of rinse aid in the machine.
- Water hardness setting is low or salt level is insufficient >>> Measure the hardness of the supply water appropriately and check the water hardness setting.

- Salt leakage exists. >>> Pay attention not to spill salt around the salt filling hole while adding salt. Make sure that the salt reservoir lid is tightly closed after finishing the filling process. Run the prewash programme to remove the salt that spilled inside the machine. Since the salt granules that will remain under the lid will dissolve during prewash, causing the lid loosen, check the lid once again at the end of the programme.

### There is a different odour in the machine



A new machine has a peculiar odour. It will fade out after a couple of washes.

- Filters are clogged. >>> Check if the filter system is clean. Clean the filter system regularly as illustrated in section “Cleaning and Care”.
- Dirty dishes are kept in dishwasher for 2-3 days. >>> If you are not going to start the machine right after you have put the dishes into it, remove the remnants on the dishes and run the Prewash programme without detergent every 2 days. In such cases, do not close the door of the machine completely in order to avoid odour build up in machine. You can also use commercially available odour removers or machine cleaners.

### Rust, discoloration or surface deterioration occurs on dishes

- Salt leakage exists. >>> Salt may cause deterioration and oxidation on metal surfaces. Pay attention not to spill salt around the salt filling hole while adding salt. Make sure that the salt reservoir lid is tightly closed after finishing the filling process. Run the prewash programme to remove the salt that spilled inside the machine. Since the salt granules that will remain under the lid will dissolve during prewash, causing the lid loosen, check the lid once again at the end of the programme.
- Salty food remnants have remained on dishes for a long time. >>> If cutlery soiled with such foods will be kept waiting in machine, dirt must be removed by prewash or dishes must be washed without being kept waiting.
- Electric installation is not grounded. >>> Check if your machine is connected to the actual grounding line. Otherwise, the static electric created in the product causes arcs on the surfaces of metal items creating pores, removing the protective cover on the surface and causing discoloration.
- Intensive cleansers such as bleaches are used. >>> Protective cover on metal surfaces gets damaged and loses its efficiency in time when it gets in contact with cleansers such as bleach. Do not wash your dishes with bleach.
- Metal items particularly such as knives are used for purposes other than their intended uses. >>> Protective cover on the edges of knives may get damaged when they are used for purposes such as opening cans. Do not use metal kitchen utensils out of their intended uses.

- Cutlery are made of low quality stainless steel. >>> Corrosion on such items is inevitable; they should not be washed in dishwashers.
- Kitchen utensils that are already corroded are washed in dishwasher. >>> Rust on a corroded item can migrate to other stainless steel surfaces and cause corrosion on those surfaces as well. Such items should not be washed in dishwashers.

### **Detergent remains in detergent dispenser.**

- Detergent dispenser was damp when adding detergent. >>> Make sure that the detergent dispenser is dried well prior to filling it with detergent.
- Detergent is added long before the washing process. >>> Pay attention to add detergent shortly before start-up of the washing.
- Opening of the detergent dispenser lid is prevented during washing. >>> Place the dishes in a way that will not prevent the detergent dispenser lid from opening and the water going into the machine from impellers.
- Detergent is stored under unsuitable conditions. >>> If you are using powder detergent, do not store the detergent package in humid places. Keep it in a closed container if possible. For ease-of-storing, we recommend you to use tablet detergents.
- Impeller holes are clogged. >>> Lower and upper impeller holes might be clogged with food remnants such as lemon pips. Clean the impellers regularly as illustrated in section "Cleaning and Care".

### **Decorations and ornaments on kitchen utensils are being erased.**



Decorated glasses and decorated lustre porcelains are not suitable for washing in the dishwasher. Manufacturers of some glassware and porcelain tableware items do not recommend washing such kitchen utensils in the dishwashers either.

### **Dishes are scratched.**



Kitchen utensils that contains or are made of aluminum should not be washed in dishwasher.

- Salt leakage exists. >>> Pay attention not to spill salt around the salt filling hole while adding salt. Spilled salt can cause scratches. Make sure that the salt reservoir lid is tightly closed after finishing the filling process. Run the prewash programme to remove the salt that spilled inside the machine. Since the salt granules that will remain under the lid will dissolve during prewash, causing the lid loosen, check the lid once again at the end of the programme.
- Water hardness setting is low or salt level is insufficient >>> Measure the hardness of the supply water appropriately and check the water hardness setting.

- Dishes are not placed orderly in the machine. >>> When placing the glasses and other glassware into the basket lean them not against other dishes but the edges or racks of the basket or the glass support tines. Striking of the glasses to each other or to other dishes due to the impact of water during washing can cause breaks, or scratches on their surfaces.

**A smear remains on glasses that resembles milk stain which can not be removed when wiped by hand. A bluish / rainbow appearance occurs when the glass is pointed to light.**

- Excessive rinse aid is used. >>> Lower rinse aid setting. Clean the spilled rinse aid when adding rinse aid.
- Corrosion has occurred on glass due to soft water. >>> Measure the hardness of the supply water appropriately and check the water hardness setting. If your supply water is soft (<5 dH), do not use salt. Choose programmes that wash in higher temperatures (e.g. 60-65°C). You can also use glass protective detergents that are commercially available.

**Foam forms in the machine.**

- Dishes are washed with hand-wash detergent by hand but not rinsed before placing them into the machine. >>> Hand-wash detergents do not contain antifoam. There is no need to hand-wash the dishes before placing them into the machine. Removing the coarse soil on the dishes under tap water, with a tissue paper or fork will be sufficient.
- Rinse aid has spilled into the machine when adding rinse aid. >>> Take care that rinse aid is not spilled in the machine when you are filling it. Clean any spilled rinse aid with the help of a tissue paper/towel.
- Lid of the rinse aid reservoir is left open. >>> Make sure that the lid of the rinse aid reservoir is closed after adding rinse aid.

**Kitchen utensils are broken.**

- Dishes are not placed orderly in the machine. >>> Load the dishes as described in the user manual.
- Baskets are overloaded. >>> Do not overload the baskets in excess of their capacity.

**Water remains in the dishwasher at the end of the programme.**

- Filters are clogged. >>> Check if the filter system is clean. Clean the filter system regularly as illustrated in section “Cleaning and Care”.
- Discharge hose is clogged/blocked. >>> Check the discharge hose. If necessary, remove the discharge hose, clear the blockage and insert it as illustrated in the user manual.



If you cannot eliminate the problem although you follow the instructions in this section, consult your dealer or the Authorised Service Agent. Never try to repair a nonfunctional product yourself.